

FORM 8526
NOVEMBER, 1918

PRICE LIST

OF

PARTS



From the library of: Diamond Needle Corp

MACHINE No. 82-22

THE SINGER MANUFACTURING COMPANY

COPYRIGHT
U. S. A.,
1916, 1917 AND 1918
BY
THE SINGER MANUFACTURING CO.
ALL RIGHTS RESERVED FOR ALL COUNTRIES

INDEX

| | PAGE |
|----------------------------------|------|
| ACCESSORIES..... | 12 |
| CABINET TRIMMINGS FOR STAND..... | 16 |
| IRON BASE..... | 12 |
| KNEE LIFTER PARTS..... | 12 |
| MACHINE NO. 82-22..... | 7 |
| NUMERICAL LIST OF PARTS..... | 19 |
| OBSOLETE PARTS..... | 18 |
| STAND (HIGH SPEED)..... | 14 |
| “ (ROCKING TREADLE)..... | 13 |
| THREAD UNWINDER..... | 15 |
| UNDER DRIVER..... | 16 |

From the library of [Daimler Needle Corp](#)

INSTRUCTIONS FOR ORDERING

In ordering from this list, use **ONLY** the part **NUMBER** in the **FIRST** column.

The number stamped on a Sewing Machine part is in **every** case the number of the single part only.

Every combination of parts sent out as such has its specific number, which, although not stamped on the parts, must be used when ordering the combination.

Each number always indicates the **SAME PART** in whatever list it appears, or for whatever machine.

The letters after some of the numbers indicate the style of finish only, as follows:

- A. Hardened, Polished and Plated.
- B. Polished and Plated
- C. Hardened only.
- D. Polished only.
- E. Soft, not Polished.
- F. Hardened and Polished.
- G.
- H. Blued.
- J. Plated only.
- K. Hardened and Plated.
- L. Brass or Gilt.
- M. Oxidized.
- P. Japanned.

These letters **MUST BE USED** when they appear in the list, and **AFTER** the number as in the list.

In this series

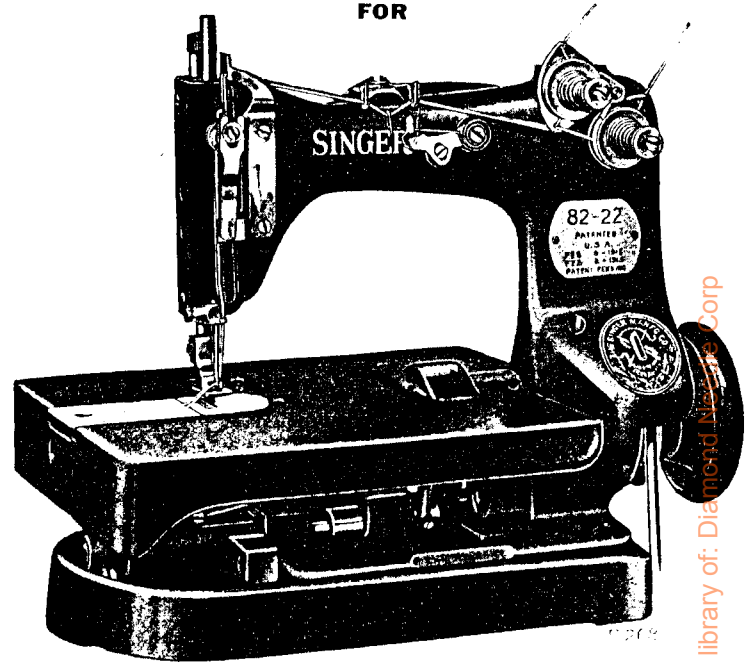
- 1 to 1500 and 50001 to 51500 are Screw Numbers.
- 1501 to 1800 are Nut Numbers.
- 1801 to 2000 are Roller Numbers.
- 2001 to 50000 and 52001 and upward are numbers of Machine Parts.

The figures in the second column refer only to the plates, illustrating the parts, and are **NOT TO BE USED** in ordering.

Parts marked with an asterisk (*) are furnished only when repairs are made at factory.

LIST OF PARTS COMPLETE

FOR



From the library of: Diamond Knives Corp

MACHINE No. 82-22

FOR ORNAMMENTING THE BACKS OF GLOVES MADE FROM TRICOT, MILANESE, ETC., ALSO FOR WORK ON HOSIERY. TWO NEEDLES, ONE LOOPER, NEEDLES SET TANDEM. TENSION RELEASE, KNEE LIFTER. IF DESIRED THE MACHINE CAN BE OPERATED WITH ONE THREAD, THE REAR NEEDLE BEING LEFT IN THE MACHINE TO ACT AS A LOOP RETAINER. A SPECIAL THROAT PLATE IS FURNISHED FOR ONE THREAD WORK. BALANCE WHEEL NO. 32026. PULLEY NO. 32027, DIAMETER OF BELT GROOVE 2 INCHES.

FORMERLY 82 S. V. 9 MACHINE. SUPERSEDES NO. 82-21 MACHINE

| NO. | PLATE | NAME | EACH |
|--------|-------|---|---------|
| *57105 | — | Arm, upper and lower (solid) with 130b, 42619 and two each 462c, 1259c, 9830 and 42602..... | \$12 00 |
| 42599 | 5133 | Arm Rock Shaft..... | 50 |
| 42600 | 5134 | “ “ “ Crank (back) with two 1259c..... | 75 |

| NO. | PLATE | NAME | EACH |
|--------|-------|--|-------|
| 1259c | 5134 | Arm Rock Shaft Crank (back) Position Screw..... | \$ 03 |
| 1259c | 5134 | Arm Rock Shaft Crank (back) Set Screw..... | 03 |
| 42601 | 5134 | " " " " (front) with two 1259c..... | 75 |
| 1259c | 5134 | Arm Rock Shaft Crank (front) Position Screw..... | 03 |
| 1259c | 5134 | Arm Rock Shaft Crank (front) Set Screw..... | 03 |
| 42602 | 5134 | " " " Flanged Bushing (back)..... | 50 |
| 1259c | 5134 | " " " " " " " Set Screw..... | 03 |
| 42602 | 5134 | Arm Rock Shaft Flanged Bushing (front)..... | 50 |
| 1259c | 5134 | " " " " " " " Set Screw..... | 03 |
| 57016 | 5133 | Arm Rotary Shaft..... | 3 00 |
| 199d | 6939 | " " " Screw..... | 04 |
| 32026 | 5133 | Balance Wheel, 2 in. pulley..... | 50 |
| 57048 | 5148 | Cloth Plate with 42645..... | 2 00 |
| 387F. | 6939 | " " Screw..... | 06 |
| 42578 | 6933 | " " Slide..... | 25 |
| 42568 | 6933 | " " Spring..... | 05 |
| 578d | 6939 | " " " " Screw..... | 02 |
| 57049 | — | Cloth Plate complete, Nos. 578d, 42568, 42578 and 57048..... | 2 30 |
| 57098 | 5134 | Connecting Rod with 34434 and two 171E..... | 1 00 |
| *34434 | — | " " Cap..... | — |
| 171E | 5134 | " " " Screw..... | 03 |
| 378c | 5134 | " " Hinge Screw..... | 10 |
| 1520E | 5134 | " " " " Nut..... | 03 |
| 57106 | 6934 | Face Plate..... | 75 |
| 50318d | 6939 | " " Screw..... | 02 |
| 42613 | 5134 | Feed Bar..... | 1 25 |
| 42614 | 5134 | " " Hinge Stud..... | 15 |
| 1147c | 5135 | " " " " Set Screw..... | 03 |
| 42615 | 5134 | " " Slide Block..... | 50 |
| 42507 | 5135 | " Connecting Rod with 38588 and two 1057E..... | 1 00 |
| *38588 | — | Feed Connecting Rod Cap..... | — |
| 1057E | 5135 | " " " " Screw..... | 04 |
| 57051 | 6936 | " Dog..... | 75 |
| 190d | 6937 | " " Screw..... | 03 |
| 42684 | 5135 | " Eccentric with two 1259c..... | 1 00 |
| 1259c | 5134 | " " Position Screw..... | 03 |
| 1259c | 5134 | " " Set Screw..... | 03 |
| 42670 | 5135 | " Regulator with 157d and 233d..... | 1 25 |
| 1038c | 5135 | " " Adjusting Screw..... | 10 |
| 7070 | 5135 | " " " " Sleeve..... | 10 |

| NO. | PLATE | NAME | EACH |
|--------|-------|--|---------|
| 1589c | 5135 | Feed Regulator Adjusting Screw Thumb Nut..... | \$ 06 |
| 157d | 5135 | Feed Regulator Clamping Screw..... | 04 |
| 233d | 5135 | " " Stop Screw..... | 02 |
| 42618 | 5134 | Feed Rock Shaft..... | 15 |
| 42619 | 6933 | " " " Bracket with 448c..... | 1 50 |
| 130d | 6939 | " " " " Screw..... | 06 |
| 21509 | 5134 | " " " Collar with 207F..... | 15 |
| 207F | 5134 | " " " " Set Screw..... | 02 |
| 42620 | 5135 | " " " Crank with 157d and 1147c..... | 50 |
| 157d | 5135 | Feed Rock Shaft Crank Clamping Screw..... | 04 |
| 57052 | 6934 | Looper..... | 1 00 |
| 57053 | 6934 | " Carrier with 906c..... | 2 00 |
| 57054 | 6934 | " " Hinge Pin..... | 05 |
| 906c | 6934 | " " " " Set Screw..... | 02 |
| 57055 | 6934 | " " Holder..... | 75 |
| 42691 | 5135 | " " " Bushing..... | 35 |
| 202F | 6937 | " " " " Set Screw..... | 02 |
| 42692 | 5135 | " " " Crank with 197d..... | 80 |
| 197d | 5135 | " " " " Clamping Screw..... | 02 |
| 57056 | 6935 | Looper Carrier Holder Crank Connecting Link..... | 50 |
| 57057 | 6933 | Looper Carrier Lever with 208E and 1933..... | 1 50 |
| 57058 | 6934 | " " " Cam with two 1036c..... | 1 25 |
| 1036c | 6934 | " " " " Set Screw..... | 03 |
| 42637 | 6934 | " " " Hinge Stud..... | 30 |
| 448c | 6934 | " " " " " S e t Screw..... | 03 |
| 1933 | 6934 | Looper Carrier Lever Roller and Stud..... | 18 |
| 54694 | 6934 | " " Slide Block (two pieces) with 54695 and two 54705..... | 2 00 |
| *54695 | — | Looper Carrier Slide Block Ball Stud..... | 40 |
| 208E | 6934 | " " " " " " " Clamping Screw..... | 02 |
| 54705 | 6934 | Looper Carrier Slide Block Pin..... | per 100 |
| 42694 | 5136 | " Driving Shaft..... | 50 |
| 57059 | 6933 | " " " Bracket with 202F..... | 2 50 |
| 141E | 6939 | " " " " " Screw..... | 04 |
| 57160 | 6935 | " " " Cam with two 1036c..... | 1 25 |
| 1036c | 6934 | " " " " Set Screw..... | 03 |
| 19009 | 5136 | " " " Collar with two 454c..... | 25 |
| 454c | 5136 | Looper Driving Shaft Collar Set Screw..... | 02 |
| 57061 | 6935 | " " " Crank (left) with 1057E..... | 1 25 |

From the library of: Diamond Needle Corp

| NO. | PLATE | NAME | EACH |
|--------|-------|--|---------|
| 1057E | 6935 | Looper Driving Shaft Crank (left) Clamping Screw | \$ 04 |
| 57062 | 6935 | Looper Driving Shaft Crank (right) with 1057E and 1935 | 1 00 |
| 1057E | 6935 | Looper Driving Shaft Crank (right) Clamping Screw | 04 |
| 1935 | 6935 | Looper Driving Shaft Crank (right) Roller and Stud | 20 |
| 54648 | 5136 | Looper Driving Shaft Oil Pad (braided cotton) | 01 |
| 50138F | 6934 | Looper Screw | 02 |
| 57063 | 6935 | Needle Bar with two 57066 | 75 |
| 9830 | 5135 | " " Bushing | 25 |
| 462C | 5135 | " " " Set Screw | 02 |
| 34170 | 5135 | " " Connecting Link with two 1313E | 25 |
| 1313E | 5135 | Needle Bar Connecting Link Adjusting Screw | 02 |
| 50026C | 5135 | Needle Bar Connecting Link Hinge Stud | 12 |
| 1520E | 5134 | " " " " " " Nut | 03 |
| 9570 | 5135 | Needle Bar Connecting Stud with 207E | 30 |
| 207E | 5134 | " " " " Clamping Screw | 02 |
| 57064 | 6935 | Needle Clamp with 1155F | 75 |
| 1155F | 6935 | " " Set Screw | 02 |
| 57065 | 6935 | " " Spring | 02 |
| 1380D | 6935 | " " " Screw | 02 |
| 57066 | 6935 | " Stop Pin | per 100 |
| 34103 | 5136 | Presser Bar | 40 |
| 38540 | 5136 | " " Lifter | 20 |
| 85E | 5136 | " " " Screw | 05 |
| 57067 | 6935 | " " Lifting Bracket with 453C | 50 |
| 57068 | 6935 | " " " " Guide | 30 |
| 185H | 6935 | " " " " " Screw | 02 |
| 453C | 6935 | " " " " Set Screw | 02 |
| 9534 | 6937 | " " Spring | 06 |
| 22405 | 5136 | " " " Washer | 01 |
| 57069 | 6937 | " Foot Hinge Pin | per 100 |
| 57070 | — | " " Plate | 65 |
| 57071 | — | " " Shank | 60 |
| 57072 | 6936 | Presser Foot (hinged) complete, Nos. 57069 to 57071 | 1 25 |
| 185H | 6935 | Presser Foot Screw | 02 |
| 1121D | 5136 | Pressure Regulating Thumb Screw | 20 |
| 32027 | 5133 | Pulley, 2 in. diam. | 50 |
| 1167D | 6939 | " Screw | 05 |

| NO. | PLATE | NAME | EACH |
|--------|-------|---|-------|
| 57107 | 6937 | Slack Thread Regulating Spring | \$ 05 |
| 57108 | 6937 | " " " " Plate | 15 |
| 227D | 6937 | " " " " " Screw | 02 |
| 236D | 6937 | Slack Thread Regulating Spring Screw | 02 |
| 57109 | 6937 | " " " " Thread Eyelet | 05 |
| 190D | 6937 | Slack Thread Regulating Spring Thread Eyelet Screw | 03 |
| 7071 | 6937 | Slack Thread Regulating Spring Thread Eyelet Screw Washer | 01 |
| 2102 | 5136 | Tension Disc | 05 |
| 1560C | 5136 | " Regulating Thumb Nut | 0 |
| 57110 | 6937 | " Releaser | 50 |
| 2273 | 6937 | " " Pin | 01 |
| 57111 | 6937 | " " Shaft | 10 |
| 57112 | 6937 | " " " Crank with 202D | 1 00 |
| 202D | 6937 | " " " " Clamping Screw | 02 |
| 50261C | 6937 | Tension Screw Stud | 15 |
| 13914 | 6937 | " Spring | 05 |
| 13915 | 6937 | " " Bushing | 05 |
| 57076 | 5136 | " Thread Guide (double) | 30 |
| 17547 | 5136 | " " (single) | 25 |
| 57113 | 6937 | Thread Nipper Bracket with 207E and two 57116 | 1 00 |
| 207E | 5134 | Thread Nipper Bracket Clamping Screw | 02 |
| 57114 | 6937 | " " Disc | 03 |
| 50357C | 6937 | " " " Screw | 03 |
| 57115 | 6937 | " " " Bushing | 10 |
| 57116 | 6937 | " " " Steady Pin | 01 |
| 57116 | 6937 | " " Guide Pin | 01 |
| 57117 | 6937 | " " Separating Disc | 10 |
| 57118 | 6938 | " " Spring | 10 |
| 57119 | 6938 | " " " Bracket and Thread Guide | 80 |
| 208D | 6934 | Thread Nipper Spring Bracket and Thread Guide Screw | 02 |
| 1470D | 6938 | Thread Nipper Spring Screw | 02 |
| 36661 | 6938 | " " " " Washer | 01 |
| 57136 | 6936 | Throat Plate for 1230E, for 57051, for one thread | 1 00 |
| 57137 | 6936 | Throat Plate for 1230E, for 57051, for two threads | 1 00 |
| 1230F | 6939 | Throat Plate Screw | 03 |
| 42645 | 6938 | " " Steady Pin | 01 |

IRON BASE

| NO. | PLATE | NAME | EACH |
|-------|-------|--|--------|
| 57008 | 6929 | Machine Base with three wood screws 1¼ in. No. 12 and four each 935D and 42088 | \$2 00 |
| 42088 | 6932 | Machine Cushion (felt) | 02 |
| 935D | 6932 | " " Screw | 04 |

ACCESSORIES

| NO. | PLATE | NAME | EACH |
|--------|-------|---|-------|
| 1408E | 6931 | Machine Base Thumb Screw, for 2 in. table | \$ 25 |
| 14063 | 6932 | Machine Base Thumb Screw Spring | 10 |
| 9842 | 6932 | " " " " " Washer | 02 |
| — | — | " Wood Screws, 1¼ in. No. 12, for power table | — |
| 36578 | 6930 | Oiler (copper plated) with 36579 | 10 |
| 36579 | 6930 | " Spout, 3½ in. long, with 120117 | 06 |
| 120117 | 6930 | " " Washer (leather) | 03 |
| 26026 | 6930 | Screw Driver (large) | 10 |
| 26485 | 6930 | " " (small) | 05 |
| 36826 | 6933 | Thread Cutter | 25 |
| 35143 | 6930 | Tweezers, 4 in. | 10 |
| 8908 | 6930 | Wrench for 1520 | 08 |

KNEE LIFTER PARTS

| NO. | PLATE | NAME | EACH |
|-------|-------|---|-------|
| 14224 | — | Chain, length 10¼ in. | \$ 08 |
| 57121 | 6933 | Lifting Lever with 2809 | 50 |
| 57081 | 6938 | " " Connection | 35 |
| 1200D | 6938 | " " " Hinge Screw | 05 |
| 21D | 6939 | " " Hinge Screw | 15 |
| 2809 | 6938 | " " Pin | 01 |
| 19081 | 6932 | " " Spring | 05 |
| 7124 | 6929 | Rock Shaft | 10 |
| 2764 | 6929 | " " Hanger (back) with two wood screws 1 in. No. 10 | 08 |
| 16128 | 6929 | Rock Shaft Hanger (front) with two wood screws 1 in. No. 10 | 08 |
| 16646 | 6929 | Rock Shaft Knee Arm | 10 |
| 16647 | — | Rock Shaft Knee Arm complete, Nos. 2766, 2767 and 16646 | 40 |

KNEE LIFTER PARTS

13

| NO. | PLATE | NAME | EACH |
|-------|-------|--|-------|
| 2766 | 6929 | Rock Shaft Knee Arm Hub with 356c | \$ 15 |
| 356c | 3817 | " " " " " Set Screw | 06 |
| 2767 | 6929 | " " " " " Plate with 356c | 18 |
| 356c | 3817 | " " " " " Set Screw | 06 |
| 6337 | 6929 | " " " " " Lifting Bracket with two 356c | 20 |
| 6338 | 6929 | " " " " " Hook | 15 |
| 356c | 3817 | " " " " " " Set Screw | 06 |
| 356c | 3817 | Rock Shaft Lifting Bracket Set Screw | 06 |
| 2770 | 6929 | " " " " " Stop Dog with 356c | 12 |
| 356c | 3817 | " " " " " Set Screw | 06 |
| 16129 | 6929 | Rock Shaft complete, Nos. 2764, 6337, 6338, 7124, 16128, 16647 and two 2770. | 1 25 |
| 57122 | — | Knee Lifter complete, Nos. 21D, 1200D, 14224, 16129, 19081, 57081 and 57121. | 2 45 |

STAND

ROCKING TREADLE, BALL BEARING PITMAN, COVER SET

| NO. | PLATE | NAME | EACH |
|-------|-------|--|--------|
| 46536 | 2187 | Band Wheel, 13 in. diam., with 972c | \$1 50 |
| 25055 | 6932 | " " Brake Ball (rubber) | 03 |
| 28270 | 2187 | " " Crank | 15 |
| 46535 | — | Band Wheel Crank and Pitman (ball bearing) complete, Nos. 1520E, 25371, 28270, 46506 to 46509, 46517, 46630, 46655 and six 25362 | 1 45 |
| 297c | 3826 | Band Wheel Crank Screw Centre | 10 |
| 1507J | 3826 | " " " " " Nut | 05 |
| 972c | 3826 | " " Set Screw | 08 |
| 46545 | — | Belt, size ¾ in., length 54½ in., with 25028 | 20 |
| 25028 | 3817 | Belt Hook, for ¾ in. belt | 01 |
| 25385 | 2187 | Brace with three each 297c and 1507J | 1 45 |
| 748E | 3817 | " Screw | 08 |
| 25053 | 2187 | Dress Guard | 25 |
| 504E | 6939 | " " Bolt with 1510E | 03 |
| 1510E | 3817 | " " " Nut | 02 |
| 25386 | 2187 | Leg with two each 25068 and 25069 | 1 80 |
| 25068 | 6930 | " Roller | 05 |
| 25069 | 6930 | " " Pin | 01 |
| 25362 | 3826 | Pitman Ball, size ¾ in. per 100 | 80 |
| 46506 | 3826 | " " Bearing Adjusting Screw Ring | 15 |

From the library of: Diamond Needle Corp

STAND

| NO. | PLATE | NAME | EACH |
|--------|-------|---|-------|
| 46507 | 3826 | Pitman Ball Bearing Adjusting Screw Ring Locking Washer (brass) . . . per 100 | \$ 25 |
| 46508 | 3826 | Pitman Ball Bearing Ring | 10 |
| 46509 | 3826 | " " Case | 25 |
| 46655 | 3826 | " " Separator | 05 |
| 46517 | 2187 | " Rod with 25360 | 15 |
| *25360 | — | " " Ball | 10 |
| 25371 | 3826 | " " Bushing | 15 |
| 25361 | 3826 | " " " Screw Bearing | 10 |
| 46630 | — | " " " " " 25361 with 1670E | 15 |
| 1670E | 3826 | Pitman Rod Ball Screw Bearing Nut | 05 |
| 1520E | 3826 | " " Lock Nut | 03 |
| 46518 | 2187 | Treadle | 65 |
| 297C | 3826 | " Screw Centre | 10 |
| 1507J | 3826 | " " " Nut | 05 |
| 25086 | 2187 | Wrench for 1507, 1510 and 1670 | 10 |
| 25200 | 2187 | " " 972 | 10 |
| 25269 | — | Stand (iron work) complete, Nos. 504E, 25053, 25055, 25086, 25200, 25385, 46518, 46535, 46536, two 25386 and four 748E | — |

STAND

HIGH SPEED

| NO. | PLATE | NAME | EACH |
|-------|-------|---|--------|
| 25329 | 3813 | Band Wheel, 16 in. diam., with 1312C . . . | \$1 25 |
| 1312C | 3817 | " " Set Screw | 08 |
| 25447 | 3818 | " " Shaft | 40 |
| 25426 | 3815 | " " " Driver (left) | 20 |
| 25427 | 3815 | " " " " Clutch (left) | 10 |
| 25428 | 3815 | Band Wheel Shaft Driver (left) Clutch (right) with 5564 | 10 |
| 25425 | 3817 | Band Wheel Shaft Driver (left) Clutch Spring | 05 |
| 5564 | 3817 | Band Wheel Shaft Driver (left) Clutch Spring Hook | 01 |
| 25422 | 3815 | Band Wheel Shaft Driver (right) | 20 |
| 25423 | 3815 | " " " " " Clutch (left) | 10 |
| 25424 | 3815 | Band Wheel Shaft Driver (right) Clutch (right) with 5564 | 10 |
| 25425 | 3817 | Band Wheel Shaft Driver (right) Clutch Spring | 05 |

STAND

| NO. | PLATE | NAME | EACH |
|-------|-------|--|-------|
| 5564 | 3817 | Band Wheel Shaft Driver (right) Clutch Spring Hook | \$ 01 |
| 25429 | 3815 | Band Wheel Shaft Driving Flange with 356c | 40 |
| 356c | 3817 | Band Wheel Shaft Driving Flange Set Screw | 06 |
| 46544 | — | Belt, size $\frac{3}{2}$ in., length $58\frac{1}{2}$ in., with 25028 | 20 |
| 25028 | 3817 | Belt Hook | 01 |
| 25448 | 3818 | Brace | 1 20 |
| 748E | 3817 | " Screw | 08 |
| 25431 | 3813 | Driving Arm (left) with 435c and 25435 . . | 75 |
| 25432 | 3813 | " " (right) with 435c and 25435 . . . | 75 |
| 25433 | 3816 | " " Hinge Pin | 10 |
| 435c | 3817 | " " " " Set Screw | 04 |
| 25434 | 3815 | " Pinion | 40 |
| 25451 | 3813 | " Segment (rack) | 25 |
| 534E | 3817 | " " Bolt with 1510E | 03 |
| 1510E | 3817 | " " " Nut | 02 |
| 25446 | 3817 | " " " Washer | 02 |
| 25349 | 3813 | Foot Rest | 15 |
| 25350 | 3817 | " " Cotter Pin | 01 |
| 25435 | 3816 | " " Hinge Pin | 10 |
| 25436 | 3813 | Leg (left) | 1 50 |
| 25437 | 3813 | " (right) | 1 60 |
| 25449 | 3818 | " Stay Rod | 40 |
| 1508E | 3817 | " " " Nut | 06 |
| 25086 | 2187 | Wrench for 1510 | 10 |
| 25258 | — | Stand (iron work) complete, Nos. 25086, 25329, 25422 to 25424, 25426 to 25428, 25431, 25432, 25436, 25437, 25447 to 25449, two each 25349, 25350, 25425, 25429, 25433, 25434, 25451 and four each 534E, 748E, 1508E and 25446 | — |

THREAD UNWINDER

FOR TWO SMALL SPOOLS

| NO. | PLATE | NAME | EACH |
|-------|-------|--|-------|
| 27702 | 6932 | Spool Pin | \$ 05 |
| 27450 | 6929 | " Rest with 145F and two 27702 | 18 |
| 145F | 6939 | " " Set Screw | 04 |
| 41547 | — | Spool Weight complete, Nos. 10243 and 41546 | 07 |

THREAD UNWINDER

| NO. | PLATE | NAME | EACH |
|-------|-------|--|-------|
| 41546 | 6932 | Spool Weight Centre Pin..... | \$ 05 |
| 10243 | 6932 | " " " " Washer..... | 02 |
| 41541 | 6930 | " " Thread Guide with 41542.. | 25 |
| 41542 | 6932 | " " " " Centre Pin.. | 05 |
| 27451 | 6929 | Stand..... | 25 |
| 27453 | 6929 | Thread Eyelet Rod..... | 15 |
| 27446 | 6929 | " " Wire (left)..... | 05 |
| 27452 | 6929 | " " " (right)..... | 05 |
| 27454 | — | Thread Eyelet complete, Nos. 27446, 27452 and 27453..... | 25 |
| 41831 | 6929 | Thread Unwinder complete, Nos. 27450, 27451, 27454, two each 41541, 41547 and three wood screws 1 in. No. 10.... | 1 30 |

CABINET TRIMMINGS FOR STAND

| NO. | PLATE | NAME | EACH |
|--------|-------|--|-------|
| 28013 | 6930 | Belt Hole Bushing (round, brass)..... | \$ 04 |
| 28079 | 6930 | End Leaf Hinge..... | 03 |
| 25168 | 6929 | " " Support Bracket..... | 10 |
| 25150 | 6929 | " " " Lever..... | 10 |
| 25143 | 6932 | " " " " Hinge Pin..... | 01 |
| 25162 | 6929 | End Leaf Support complete, Nos. 25143, 25150, 25168 and two wood screws 5/8 in. No. 7..... | 20 |
| 50314J | 6931 | Machine Thumb Screw..... | 20 |
| 14063 | 6932 | " " " Spring..... | 10 |
| 9842 | 6932 | " " " Washer..... | 02 |

UNDER DRIVER

LEVER PRESSURE (RIGHT HAND) TWO SPEED

| NO. | PLATE | NAME | EACH |
|--------|-------|---|-------|
| 27593 | 6930 | Brake (fibre)..... | \$ 05 |
| 27594 | 1164 | " Bracket with 27593 and two 327E.. | 25 |
| 927C | 2186 | " " Adjusting Screw..... | 12 |
| 1513J | 2186 | " " " " Nut..... | 05 |
| 307C | 2186 | " " Screw Centre..... | 06 |
| 1513J | 2186 | " " " " Nut..... | 05 |
| 327E | 2186 | " Screw..... | 05 |
| 27595 | 1164 | Cone Pulley (grooved) two speed, 4 1/2 in. and 5 1/2 in. diam., with 27473E..... | 1 00 |
| 27473E | 2186 | Cone Pulley Centre Bearing..... | 08 |
| 27888 | 6929 | Dress Guard (right hand)..... | 20 |
| 354c | 2186 | " " Screw..... | 06 |
| 2018 | 2186 | " " " Washer..... | 01 |

UNDER DRIVER

| NO. | PLATE | NAME | EACH |
|-------|-------|---|--------|
| 27597 | 1164 | Driving Pulley (grooved) 6 1/4 in. diam., with 433c, 27598 and two 7958..... | \$1 10 |
| 27598 | — | Driving Pulley Friction Ring (leather)... | 10 |
| 7958 | 2186 | " " " " Stop Pin... | 01 |
| 27631 | 2186 | " " Hollow Stud with 27600.. | 25 |
| 27600 | 2186 | " " " " Position Stud | 02 |
| 356c | 3817 | Driving Pulley Hollow Stud Set Screw... | 06 |
| 27632 | — | " " " " Wick..... | 01 |
| 27633 | — | " " " " Wire with 27632..... | 05 |
| 433c | 2186 | Driving Pulley Screw Centre Bearing... | 08 |
| 7958 | 2186 | " " " " " Dowel Pin..... | 01 |
| 27601 | 1164 | Frame..... | 85 |
| 27605 | 1164 | Lever..... | 35 |
| 27606 | 2186 | " Centre Plug (wood)..... | 01 |
| 427E | 2186 | " " " Adjusting Screw..... | 08 |
| 1508E | 2186 | " " " " Nut... | 06 |
| 307c | 2186 | " Screw Centre..... | 06 |
| 1513J | 2186 | " " " Nut..... | 05 |
| 27607 | 6930 | " Spring..... | 10 |
| 27070 | 1165 | Shaft Driving Pulley (sectional, grooved) 10 in. diam., 1 3/8 in. bore, with two 597c | 95 |
| 597c | 2186 | Shaft Driving Pulley Clamping Screw... | 08 |
| 27636 | 1165 | Treadle..... | 50 |
| 9082 | 2186 | " Bearing Cotter Pin..... | 01 |
| 27637 | 1164 | " Pitman Rod (lower)..... | 05 |
| 27638 | 2186 | " " " Spring..... | 03 |
| 6055 | 6938 | " " " " Washer | 01 |
| 27639 | 1164 | " " " (upper)..... | 05 |
| 9079 | 1164 | " " " Clamp with 354c... | 15 |
| 354c | 2186 | " " " " Screw..... | 06 |
| 27640 | 1164 | Treadle Pitman complete, Nos. 2762, 6055, 9079 and 27637 to 27639..... | 35 |
| 2878 | 1165 | Treadle Stand..... | 20 |
| 2762 | 2186 | " Stop Collar with 362E..... | 10 |
| 362E | 2186 | " " " Set Screw..... | 05 |
| 27642 | — | Treadle complete, Nos. 2878, 9082, 27636 and four wood screws 1 in. No. 16.... | 70 |
| 27643 | — | Treadle and Pitman complete, Nos. 27640 and 27642..... | 1 05 |
| 27889 | — | Transmitter complete for 27890, Nos. 354c, 356c, 427E, 927c, 1508E, 2018, 27594, 27595, 27597, 27601, 27605 to 27607, 27631, 27633, 27888, three wood screws 1 1/2 in. No. 16, four 307c and five 1513J..... | 4 50 |

UNDER DRIVER

| NO. | PLATE | NAME | EACH |
|-------|-------|---|--------|
| 27890 | --- | Under Driver, lever pressure (right hand) two speed, complete, Nos. 27070, 27643 and 27889..... | \$5 75 |

UNDER DRIVER**LEVER PRESSURE (LEFT HAND) TWO SPEED**

This Under Driver is the same as No. 27890 with the following exceptions:

| NO. | PLATE | NAME | EACH |
|-------|-------|---|-------|
| 27596 | 1164 | Dress Guard (left hand) in place of 27888 | \$ 20 |
| 27891 | --- | Transmitter complete for 27892, Nos. 354c, 356c, 427e, 927c, 1508e, 2018, 27594 to 27597, 27601, 27605 to 27607, 27631, 27633, three wood screws 1½ in. No. 16, four 307c and five 1513i, in place of 27889..... | 4 50 |
| 27892 | --- | Under Driver, lever pressure (left hand) two speed, complete, Nos. 27070, 27643 and 27891..... | 5 75 |

OBSOLETE PARTS

| NO. | PLATE | NAME | EACH |
|--------|-------|--|--------|
| 57060 | --- | Looper Driving Shaft Cam with two 1036c, use 57169..... | \$1 25 |
| 38617 | 6938 | Presser Bar Spring..... | 06 |
| 57120 | 6936 | Throat Plate for 50027, for 57051, for one thread..... | 1 00 |
| 57079 | 6936 | Throat Plate for 50027, for 57051, for two threads..... | 1 00 |
| 50027F | 6939 | Throat Plate Screw..... | 04 |

NUMERICAL LIST OF PARTS

FOR

MACHINE No. 82-22

NUMERICAL LIST OF PARTS

| NO. | PLATE | NAME | EACH |
|------|-------|--|-------|
| 21b | 6939 | Lifting Lever Hinge Screw for 57122..... | \$ 15 |
| 85E | 5136 | Presser Bar Lifter Screw | 05 |
| 130b | 6939 | Feed Rock Shaft Bracket Screw for 57105 | 06 |
| 141E | 6939 | Looper Driving Shaft Bracket Screw..... | 01 |
| 145F | 6939 | Thread Unwinder Spool Rest Set Screw for 27450..... | 01 |
| 157D | 5135 | Feed Regulator Clamping Screw for 42670 | 01 |
| 157D | 5135 | " Rock Shaft Crank Clamping Screw for 42620..... | 01 |
| 171E | 5134 | Connecting Rod Cap Screw for 57098..... | 03 |
| 185H | 6935 | Presser Bar Lifting Bracket Guide Screw..... | 02 |
| 185H | 6935 | " Foot Screw | 02 |
| 190b | 6937 | Feed Dog Screw | 03 |
| 190b | 6937 | Slack Thread Regulating Spring Thread Eyelet Screw | 03 |
| 197D | 5135 | Looper Carrier Holder Crank Clamping Screw for 42692 | 02 |
| 199D | 6939 | Arm Rotary Shaft Screw | 04 |
| 202F | 6937 | Looper Carrier Holder Bushing Set Screw for 57059..... | 02 |
| 202D | 6937 | Tension Releaser Shaft Crank Clamping Screw for 57112 | 02 |
| 207F | 5134 | Feed Rock Shaft Collar Set Screw for 21509 | 02 |
| 207E | 5134 | Needle Bar Connecting Stud Clamping Screw for 9570 | 02 |
| 207E | 5134 | Thread Nipper Bracket Clamping Screw for 57113..... | 02 |
| 208E | 6934 | Looper Carrier Slide Block Ball Stud Clamping Screw for 57057 | 02 |
| 208D | 6934 | Thread Nipper Spring Bracket and Thread Guide Screw | 02 |
| 227D | 6937 | Slack Thread Regulating Spring Plate Screw..... | 02 |
| 233D | 5135 | Feed Regulator Stop Screw for 42670 | 02 |
| 236D | 6937 | Slack Thread Regulating Spring Screw | 02 |
| 297C | 3826 | Band Wheel Crank Screw Centre for 25385 | 10 |
| 297C | 3826 | Treadle Screw Centre for 25385..... | 10 |
| 307C | 2186 | Under Driver Brake Bracket Screw Centre for 27889 and 27891 | 06 |
| 307C | 2186 | Under Driver Lever Screw Centre for 27889 and 27891 | 06 |

NUMERICAL LIST OF PARTS

| NO. | PLATE | NAME | EACH |
|------|-------|---|-------|
| 327E | 2186 | Under Driver Brake Screw for 27594 | \$ 05 |
| 354c | 2186 | “ “ Dress Guard Screw for 27889 and 27891 | 06 |
| 354c | 2186 | Under Driver Treadle Pitman Rod Clamp Screw for 9079 | 06 |
| 356c | 3817 | Band Wheel Shaft Driving Flange Set Screw for 25429 | 06 |
| 356c | 3817 | Rock Shaft Knee Arm Hub Set Screw for 2766 | 06 |
| 356c | 3817 | Rock Shaft Knee Plate Set Screw for 2767 | 06 |
| 356c | 3817 | “ “ Lifting Bracket Hook Set Screw for 6337 | 06 |
| 356c | 3817 | Rock Shaft Lifting Bracket Set Screw for 6337 | 06 |
| 356c | 3817 | Rock Shaft Stop Dog Set Screw for 2770 | 06 |
| 356c | 3817 | Under Driver Driving Pulley Hollow Stud Set Screw for 27889 and 27891 | 06 |
| 362F | 2186 | Under Driver Treadle Stop Collar Set Screw for 2762 | 05 |
| 378c | 5134 | Connecting Rod Hinge Screw | 10 |
| 387F | 6939 | Cloth Plate Screw | 06 |
| 427E | 2186 | Under Driver Lever Centre Plug Adjusting Screw for 27889 and 27891 | 08 |
| 433c | 2186 | Under Driver Driving Pulley Screw Centre Bearing for 27597 | 03 |
| 435c | 3817 | Driving Arm Hinge Pin Set Screw for 25431 and 25432 | 04 |
| 448c | 6934 | Looper Carrier Lever Hinge Stud Set Screw for 42619 | 03 |
| 453c | 6935 | Presser Bar Lifting Bracket Set Screw for 57067 | 02 |
| 454c | 5136 | Looper Driving Shaft Collar Set Screw for 19009 | 02 |
| 462c | 5135 | Needle Bar Bushing Set Screw for 57105 | 02 |
| 504E | 6939 | Dress Guard Bolt with 1510E, for 25269 | 03 |
| 534E | 3817 | Driving Segment Bolt with 1510E, for 25258 | 03 |
| 578D | 6939 | Cloth Plate Slide Spring Screw for 57049 | 02 |
| 597c | 2186 | Under Driver Shaft Driving Pulley Clamping Screw for 27070 | 08 |
| 748E | 3817 | Brace Screw for 25258 and 25269 | 08 |
| 906c | 6934 | Looper Carrier Hinge Pin Set Screw for 57053 | 02 |
| 927c | 2186 | Under Driver Brake Bracket Adjusting Screw for 27889 and 27891 | 12 |
| 935D | 6932 | Machine Cushion Screw for 57008 | 04 |
| 972c | 3826 | Band Wheel Set Screw for 46536 | 08 |

NUMERICAL LIST OF PARTS

| NO. | PLATE | NAME | EACH |
|-------|-------|--|-------|
| 1036c | 6934 | Looper Carrier Lever Cam Set Screw for 57058 | \$ 03 |
| 1036c | 6934 | Looper Driving Shaft Cam Set Screw for 57060 and 57160 | 03 |
| 1038c | 5135 | Feed Regulator Adjusting Screw | 10 |
| 1057E | 5135 | “ Connecting Rod Cap Screw for 42507 | 04 |
| 1057E | 6935 | Looper Driving Shaft Crank (left) Clamping Screw for 57061 | 04 |
| 1057E | 6935 | Looper Driving Shaft Crank (right) Clamping Screw for 57062 | 04 |
| 1121D | 5136 | Pressure Regulating Thumb Screw | 20 |
| 1147c | 5135 | Feed Bar Hinge Stud Set Screw for 42620 | 03 |
| 1155F | 6935 | Needle Clamp Set Screw for 57064 | 02 |
| 1167D | 6939 | Pulley Screw | 05 |
| 1200D | 6938 | Lifting Lever Connection Hinge Screw for 57122 | 05 |
| 1230F | 6939 | Throat Plate Screw for 57136 and 57137 | 03 |
| 1259c | 5134 | Arm Rock Shaft Crank (back) Position Screw for 42600 | 03 |
| 1259c | 5134 | Arm Rock Shaft Crank (back) Set Screw for 42600 | 03 |
| 1259c | 5134 | Arm Rock Shaft Crank (front) Position Screw for 42601 | 03 |
| 1259c | 5134 | Arm Rock Shaft Crank (front) Set Screw for 42601 | 03 |
| 1259c | 5134 | Arm Rock Shaft Flanged Bushing (back) Set Screw for 57105 | 03 |
| 1259c | 5134 | Arm Rock Shaft Flanged Bushing (front) Set Screw for 57105 | 03 |
| 1259c | 5134 | Feed Eccentric Position Screw for 42684 | 03 |
| 1259c | 5134 | “ “ Set Screw for 42684 | 03 |
| 1312c | 3817 | Band Wheel Set Screw for 25329 | 08 |
| 1313E | 5135 | Needle Bar Connecting Link Adjusting Screw for 34170 | 02 |
| 1380D | 6935 | Needle Clamp Spring Screw | 02 |
| 1408E | 6931 | Machine Base Thumb Screw, for 2 in. Table (Accessories) | 25 |
| 1470D | 6938 | Thread Nipper Spring Screw | 02 |
| 1507J | 3826 | Band Wheel Crank Screw Centre Nut for 25385 | 05 |
| 1507J | 3826 | Treadle Screw Centre Nut for 25385 | 05 |
| 1508E | 3817 | Leg Stay Rod Nut for 25258 | 06 |
| 1508E | 2186 | Under Driver Lever Centre Plug Adjusting Screw Nut for 27889 and 27891 | 06 |
| 1510E | 3817 | Dress Guard Bolt Nut for 504 | 02 |
| 1510E | 3817 | Driving Segment Bolt Nut for 534 | 02 |

NUMERICAL LIST OF PARTS

| NO. | PLATE | NAME | EACH |
|-------|-------|---|-------|
| 1513J | 2186 | Under Driver Brake Bracket Adjusting Screw Nut for 27889 and 27891..... | \$ 05 |
| 1513J | 2186 | Under Driver Brake Bracket Screw Centre Nut for 27889 and 27891..... | 05 |
| 1513J | 2186 | Under Driver Lever Screw Centre Nut for 27889 and 27891..... | 05 |
| 1520E | 5134 | Connecting Rod Hinge Screw Nut..... | 03 |
| 1520E | 5134 | Needle Bar Connecting Link Hinge Stud Nut..... | 03 |
| 1520E | 3826 | Pitman Rod Lock Nut for 46535..... | 03 |
| 1560C | 5136 | Tension Regulating Thumb Nut..... | 04 |
| 1589C | 5135 | Feed Regulator Adjusting Screw Thumb Nut..... | 06 |
| 1670E | 3826 | Pitman Rod Ball Screw Bearing Nut for 46630..... | 05 |
| 1933 | 6934 | Looper Carrier Lever Roller and Stud for 57057..... | 18 |
| 1935 | 6935 | Looper Driving Shaft Crank (right) Roller and Stud for 57062..... | 20 |
| 2018 | 2186 | Under Driver Dress Guard Screw Washer for 27889 and 27891..... | 01 |
| 2102 | 5136 | Tension Disc..... | 05 |
| 2273 | 6937 | " Releaser Pin..... | 01 |
| 2762 | 2186 | Under Driver Treadle Stop Collar with 362r, for 27640..... | 10 |
| 2764 | 6929 | Rock Shaft Hanger (back) with two wood screws 1 in. No. 10, for 16129..... | 08 |
| 2766 | 6929 | Rock Shaft Knee Arm Hub with 356c, for 16647..... | 15 |
| 2767 | 6929 | Rock Shaft Knee Plate with 356c, for 16647..... | 18 |
| 2770 | 6929 | Rock Shaft Stop Dog with 356c, for 16129..... | 12 |
| 2809 | 6938 | Lifting Lever Pin for 57121..... | 01 |
| 2878 | 1165 | Under Driver Treadle Stand for 27642..... | 20 |
| 5564 | 3817 | Band Wheel Shaft Driver (left) Clutch Spring Hook for 25428..... | 01 |
| 5564 | 3817 | Band Wheel Shaft Driver (right) Clutch Spring Hook for 25424..... | 01 |
| 6055 | 6938 | Under Driver Treadle Pitman Rod (lower) Spring Washer for 27640..... | 01 |
| 6337 | 6929 | Rock Shaft Lifting Bracket with two 356c, for 16129..... | 20 |
| 6338 | 6929 | Rock Shaft Lifting Bracket Hook for 16129..... | 15 |
| 7070 | 5135 | Feed Regulator Adjusting Screw Sleeve..... | 10 |
| 7071 | 6937 | Slack Thread Regulating Spring Thread Eyelet Screw Washer..... | 01 |

NUMERICAL LIST OF PARTS

| NO. | PLATE | NAME | EACH |
|-------|-------|--|-------|
| 7124 | 6929 | Rock Shaft for 16129..... | \$ 10 |
| 7958 | 2186 | Under Driver Driving Pulley Friction Ring Stop Pin for 27597..... | 01 |
| 7958 | 2186 | Under Driver Driving Pulley Screw Centre Bearing Dowel Pin for 27597.... | 01 |
| 8908 | 6930 | Wrench for 1520 (Accessories)..... | 08 |
| 9079 | 1164 | Under Driver Treadle Pitman Rod Clamp with 354c, for 27640..... | 15 |
| 9082 | 2186 | Under Driver Treadle Bearing Cotter Pin for 27642..... | 01 |
| 9534 | 6937 | Presser Bar Spring..... | 06 |
| 9570 | 5135 | Needle Bar Connecting Stud with 207e.... | 30 |
| 9830 | 5135 | " " Bushing for 57105..... | 25 |
| 9842 | 6932 | Machine Base Thumb Screw Spring Washer (Accessories)..... | 02 |
| 9842 | 6932 | Machine Thumb Screw Washer (Cabinet Trimnings for Stand)..... | 02 |
| 10243 | 6932 | Thread Unwinder Spool Weight Centre Pin Washer for 41547..... | 02 |
| 13914 | 6937 | Tension Spring..... | 05 |
| 13915 | 6937 | " " Bushing..... | 05 |
| 14063 | 6932 | Machine Base Thumb Screw Spring (Accessories)..... | 10 |
| 14063 | 6932 | Machine Thumb Screw Spring (Cabinet Trimnings for Stand)..... | 10 |
| 14224 | ----- | Chain, length 10 1/4 in., for 57122..... | 08 |
| 16128 | 6929 | Rock Shaft Hanger (front) with two wood screws 1 in. No. 10, for 16129..... | 08 |
| 16129 | 6929 | Rock Shaft complete for 57122, Nos. 2764, 6337, 6338, 7124, 16128, 16647 and two 2770..... | 1 25 |
| 16646 | 6929 | Rock Shaft Knee Arm for 16647..... | 10 |
| 16647 | ----- | Rock Shaft Knee Arm complete for 16129, Nos. 2766, 2767 and 16646..... | 40 |
| 17547 | 5136 | Tension Thread Guide (single)..... | 25 |
| 19009 | 5136 | Looper Driving Shaft Collar with two 454c..... | 25 |
| 19081 | 6932 | Lifting Lever Spring for 57122..... | 05 |
| 21509 | 5134 | Feed Rock Shaft Collar with 207e..... | 15 |
| 22405 | 5136 | Presser Bar Spring Washer..... | 01 |
| 25028 | 3817 | Belt Hook for 46544 and 46545..... | 01 |
| 25053 | 2187 | Dress Guard for 25269..... | 25 |
| 25055 | 6932 | Band Wheel Brake Ball (rubber) for 25269..... | 03 |
| 25068 | 6930 | Leg Roller for 25386..... | 05 |
| 25069 | 6930 | " " Pin for 25386..... | 01 |
| 25086 | 2187 | Wrench for 1507, 1510 and 1670, for 25258 and 25269..... | 10 |

NUMERICAL LIST OF PARTS

| NO. | PLATE | NAME | EACH |
|--------------------------------|-------|--|-------|
| 25143 | 6932 | End Leaf Support Lever Hinge Pin for 25162 (Cabinet Trimmings for Stand). | \$ 01 |
| 25150 | 6929 | End Leaf Support Lever for 25162 (Cabinet Trimmings for Stand)..... | 10 |
| 25162 | 6929 | End Leaf Support complete, Nos. 25143, 25150, 25168 and two wood screws $\frac{5}{8}$ in. No. 7 (Cabinet Trimmings for Stand)..... | 20 |
| 25168 | 6929 | End Leaf Support Bracket for 25162 (Cabinet Trimmings for Stand)..... | 10 |
| 25200 | 2187 | Wrench for 972 for 25269..... | 10 |
| 25258 | — | Stand (iron work) high speed, complete, Nos. 25086, 25329, 25422 to 25424, 25426 to 25428, 25431, 25432, 25436, 25437, 25447 to 25449, two each 25349, 25350, 25425, 25429, 25433, 25434, 25451 and four each 534E, 748E, 1508E and 25446..... | — |
| 25269 | — | Stand (iron work) rocking treadle, ball bearing pitman, cover set, complete, Nos. 504E, 25053, 25055, 25086, 25200, 25385, 46518, 46535, 46536, two 25386 and four 748E..... | — |
| 25329 | 3813 | Band Wheel, 16 in. diam., with 1312c, for 25258..... | 1 25 |
| 25349 | 3813 | Foot Rest for 25258..... | 15 |
| 25350 | 3817 | " " Cotter Pin for 25258..... | 01 |
| 25360 | — | Pitman Rod Ball for 46517..... | 10 |
| 25361 | 3826 | " " " Screw Bearing for 46630..... | 10 |
| 25362 | 3826 | " " " Ball, size $\frac{3}{16}$ in., for 46535, per 100..... | 80 |
| 25371 | 3826 | " " " Rod Ball Bushing for 46535..... | 15 |
| 25385 | 2187 | Brace with three each 297c and 4507c, for 25269..... | 1 45 |
| 25386 | 2187 | Leg with two each 25068 and 25069, for 25269..... | 1 80 |
| Nos. 25422 to 25429 for 25258. | | | |
| 25422 | 3815 | Band Wheel Shaft Driver (right)..... | 20 |
| 25423 | 3815 | " " " " " Clutch (left)..... | 10 |
| 25424 | 3815 | Band Wheel Shaft Driver (right) Clutch (right) with 5564..... | 10 |
| 25425 | 3817 | Band Wheel Shaft Driver (right) Clutch Spring..... | 05 |
| 25425 | 3817 | Band Wheel Shaft Driver (left) Clutch Spring..... | 05 |
| 25426 | 3815 | Band Wheel Shaft Driver (left)..... | 20 |
| 25427 | 3815 | " " " " " Clutch (left)..... | 10 |

NUMERICAL LIST OF PARTS

| NO. | PLATE | NAME | EACH |
|--------------------------------|-------|---|-------|
| 25428 | 3815 | Band Wheel Shaft Driver (left) Clutch (right) with 5564..... | \$ 10 |
| 25429 | 3815 | Band Wheel Shaft Driving Flange with 356c..... | 40 |
| Nos. 25431 to 25434 for 25258. | | | |
| 25431 | 3813 | Driving Arm (left) with 435c and 25435..... | 75 |
| 25432 | 3813 | " " (right) with 435c and 25435..... | 75 |
| 25433 | 3816 | " " Hinge Pin..... | 10 |
| 25434 | 3815 | " Pinion..... | 40 |
| 25435 | 3816 | Foot Rest Hinge Pin for 25431 and 25432..... | 10 |
| 25436 | 3813 | Leg (left) for 25258..... | 1 50 |
| 25437 | 3813 | " (right) for 25258..... | 1 60 |
| Nos. 25446 to 25449 for 25258. | | | |
| 25446 | 3817 | Driving Segment Bolt Nut Washer..... | 02 |
| 25447 | 3818 | Band Wheel Shaft..... | 40 |
| 25448 | 3818 | Brace..... | 1 20 |
| 25449 | 3818 | Leg Stay Rod..... | 40 |
| 25451 | 3813 | Driving Segment (rack) for 25258..... | 25 |
| 26026 | 6930 | Screw Driver, large (Accessories)..... | 10 |
| 26485 | 6930 | " " small (Accessories)..... | 05 |
| 27070 | 1165 | Under Driver Shaft Driving Pulley (sectional, grooved) 10 in. diam., $1\frac{3}{8}$ in. bore, with two 597c, for 27890 and 27892..... | 95 |
| 27446 | 6929 | Thread Unwinder Thread Eyelet Wire (left) for 27454..... | 05 |
| 27450 | 6929 | Thread Unwinder Spool Rest with 145F and two 27702, for 41831..... | 18 |
| 27451 | 6929 | Thread Unwinder Stand for 41831..... | 25 |
| 27452 | 6929 | " " Thread Eyelet Wire (right) for 27454..... | 05 |
| 27453 | 6929 | Thread Unwinder Thread Eyelet Rod for 27454..... | 15 |
| 27454 | — | Thread Unwinder Thread Eyelet complete for 41831, Nos. 27446, 27452 and 27453..... | 25 |
| 27473F | 2186 | Under Driver Cone Pulley Centre Bearing for 27595..... | 08 |
| 27593 | 6930 | Under Driver Brake (fibre) for 27594..... | 05 |
| 27594 | 1164 | " " " Bracket with 27593 and two 327E, for 27889 and 27891..... | 25 |
| 27595 | 1164 | Under Driver Cone Pulley (grooved) two speed, $4\frac{1}{2}$ in. and $5\frac{1}{2}$ in. diam., with 27473F, for 27889 and 27891..... | 1 00 |
| 27596 | 1164 | Under Driver Dress Guard (left hand) for 27891..... | 20 |

From the library of: Diamond Needle Corp

NUMERICAL LIST OF PARTS

| NO. | PLATE | NAME | EACH |
|--|-------|--|--------|
| 27597 | 1164 | Under Driver Driving Pulley (grooved) 6¼ in. diam., with 433c, 27598 and two 7958, for 27889 and 27891..... | \$1 10 |
| 27598 | — | Under Driver Driving Pulley Friction Ring (leather) for 27597..... | 10 |
| 27600 | 2186 | Under Driver Driving Pulley Hollow Stud Position Stud for 27631..... | 02 |
| 27601 | 1164 | Under Driver Frame for 27889 and 27891 | 85 |
| Nos. 27605 TO 27607 FOR 27889 AND 27891. | | | |
| 27605 | 1164 | Under Driver Lever..... | 35 |
| 27606 | 2186 | “ “ “ Centre Plug (wood)..... | 01 |
| 27607 | 6930 | “ “ “ Spring..... | 10 |
| 27631 | 2186 | “ “ Driving Pulley Hollow Stud with 27600, for 27889 and 27891..... | 25 |
| 27632 | — | Under Driver Driving Pulley Hollow Stud Wick for 27633..... | 01 |
| 27633 | — | Under Driver Driving Pulley Hollow Stud Wick Wire with 27632, for 27889 and 27891..... | 05 |
| 27636 | 1165 | Under Driver Treadle for 27642..... | 50 |
| Nos. 27637 TO 27639 FOR 27640. | | | |
| 27637 | 1164 | Under Driver Treadle Pitman Rod (lower) | 05 |
| 27638 | 2186 | “ “ “ “ “ “ Spring..... | 03 |
| 27639 | 1164 | Under Driver Treadle Pitman Rod (upper) | 05 |
| 27640 | 1164 | Under Driver Treadle Pitman complete for 27643, Nos. 2762, 6055, 9079 and 27637 to 27639..... | 35 |
| 27642 | — | Under Driver Treadle complete for 27643, Nos. 2878, 9082, 27636 and four wood screws 1 in. No. 16..... | 70 |
| 27643 | — | Under Driver Treadle and Pitman complete for 27890 and 27892, Nos. 27640 and 27642..... | 1 05 |
| 27702 | 6932 | Thread Unwinder Spool Pin for 27450... | 05 |
| 27888 | 6929 | Under Driver Dress Guard (right hand) for 27889..... | 20 |
| 27889 | — | Under Driver Transmitter complete for 27890, Nos. 354c, 356c, 427E, 927c, 1508E, 2018, 27594, 27595, 27597, 27601, 27605 to 27607, 27631, 27633, 27888, three wood screws 1½ in. No. 16, four 307c and five 1513J..... | 4 50 |

NUMERICAL LIST OF PARTS

| NO. | PLATE | NAME | EACH |
|--------|-------|--|--------|
| 27890 | — | Under Driver, lever pressure (right hand) two speed, complete, Nos. 27070, 27643 and 27889..... | \$5 75 |
| 27891 | — | Under Driver Transmitter complete for 27892, Nos. 354c, 356c, 427E, 927c, 1508E, 2018, 27594 to 27597, 27601, 27605 to 27607, 27631, 27633, three wood screws 1½ in. No. 16, four 307c and five 1513J..... | 4 50 |
| 27892 | — | Under Driver, lever pressure (left hand) two speed, complete, Nos. 27070, 27643 and 27891..... | 5 75 |
| 28013 | 6930 | Belt Hole Bushing (round) brass (Cabinet Trimmings for Stand)..... | 04 |
| 28079 | 6930 | End Leaf Hinge (Cabinet Trimmings for Stand)..... | 03 |
| 28270 | 2187 | Band Wheel Crank for 46535..... | 15 |
| 32026 | 5133 | Balance Wheel, 2 in. pulley..... | 50 |
| 32027 | 5133 | Pulley, 2 in. diam..... | 50 |
| 34103 | 5136 | Presser Bar..... | 40 |
| 34170 | 5135 | Needle Bar Connecting Link with two 1313E..... | 25 |
| *34434 | — | Connecting Rod Cap for 57098..... | — |
| 35143 | 6930 | Tweezers, 4 in. (Accessories)..... | 10 |
| 36578 | 6930 | Oiler (copper plated) with 36579 (Accessories)..... | 10 |
| 36579 | 6930 | Oiler Spout, 3½ in. long, with 120117, for 36578..... | 06 |
| 36661 | 6938 | Thread Nipper Spring Screw Washer.... | 01 |
| 36826 | 6933 | “ Cutter (Accessories)..... | 25 |
| 38540 | 5136 | Presser Bar Lifter..... | 20 |
| *38588 | — | Feed Connecting Rod Cap for 42507..... | — |
| 38617 | 6938 | Presser Bar Spring, obsolete..... | 06 |
| 41541 | 6930 | Thread Unwinder Spool Weight Thread Guide with 41542, for 41831..... | 25 |
| 41542 | 6932 | Thread Unwinder Spool Weight Thread Guide Centre Pin for 41541..... | 05 |
| 41546 | 6932 | Thread Unwinder Spool Weight Centre Pin for 41517..... | 05 |
| 41547 | — | Thread Unwinder Spool Weight complete for 41831, Nos. 10243 and 41546..... | 07 |
| 41831 | 6929 | Thread Unwinder complete, for two small spools, Nos. 27450, 27451, 27454, two each 41541, 41547 and three wood screws 1 in. No. 10..... | 1 30 |
| 42088 | 6932 | Machine Cushion (felt) for 57008..... | 02 |

NUMERICAL LIST OF PARTS

| NO. | PLATE | NAME | EACH |
|--------------------------------|-------|---|--------|
| 42507 | 5135 | Feed Connecting Rod with 38588 and two 1057E..... | \$1 00 |
| 42568 | 6933 | Cloth Plate Slide Spring for 57049..... | 05 |
| 42578 | 6933 | “ “ “ for 57049..... | 25 |
| 42599 | 5133 | Arm Rock Shaft..... | 50 |
| 42600 | 5134 | “ “ “ Crank (back) with two 1259c..... | 75 |
| 42601 | 5134 | Arm Rock Shaft Crank (front) with two 1259c..... | 75 |
| 42602 | 5134 | Arm Rock Shaft Flanged Bushing (back) for 57105..... | 50 |
| 42602 | 5134 | Arm Rock Shaft Flanged Bushing (front) for 57105..... | 50 |
| 42613 | 5134 | Feed Bar..... | 1 25 |
| 42614 | 5134 | “ “ Hinge Stud..... | 15 |
| 42615 | 5134 | “ “ Slide Block..... | 50 |
| 42618 | 5134 | “ Rock Shaft..... | 15 |
| 42619 | 6933 | “ “ “ Bracket with 448c, for 57105..... | 1 50 |
| 42620 | 5135 | Feed Rock Shaft Crank with 157d and 1147c..... | 50 |
| 42637 | 6934 | Looper Carrier Lever Hinge Stud..... | 30 |
| 42645 | 6938 | Throat Plate Steady Pin for 57048..... | 01 |
| 42670 | 5135 | Feed Regulator with 157d and 233d..... | 1 25 |
| 42684 | 5135 | “ Eccentric with two 1259c..... | 1 00 |
| 42691 | 5135 | Looper Carrier Holder Bushing..... | 35 |
| 42692 | 5135 | “ “ “ Crank with 197d..... | 80 |
| 42694 | 5136 | “ Driving Shaft..... | 50 |
| Nos. 46506 TO 46509 FOR 46535. | | | |
| 46506 | 3826 | Pitman Ball Bearing Adjusting Screw Ring..... | 15 |
| 46507 | 3826 | Pitman Ball Bearing Adjusting Screw Ring Locking Washer (brass)..... per 100 | 25 |
| 46508 | 3826 | Pitman Ball Bearing Ring..... | 10 |
| 46509 | 3826 | “ “ Case..... | 25 |
| 46517 | 2187 | “ Rod with 25360, for 46535..... | 15 |
| 46518 | 2187 | Treadle for 25269..... | 65 |
| 46535 | — | Band Wheel Crank and Pitman Ball Bearing complete for 25269, Nos. 1520e, 25371, 28270, 46506 to 46509, 46517, 46630, 46655 and six 25362..... | 1 45 |
| 46536 | 2187 | Band Wheel, 13 in. diam., with 972c, for 25269..... | 1 50 |
| 46544 | — | Belt, size $\frac{5}{32}$ in., length 58 $\frac{1}{2}$ in., with 25028..... | 20 |

NUMERICAL LIST OF PARTS

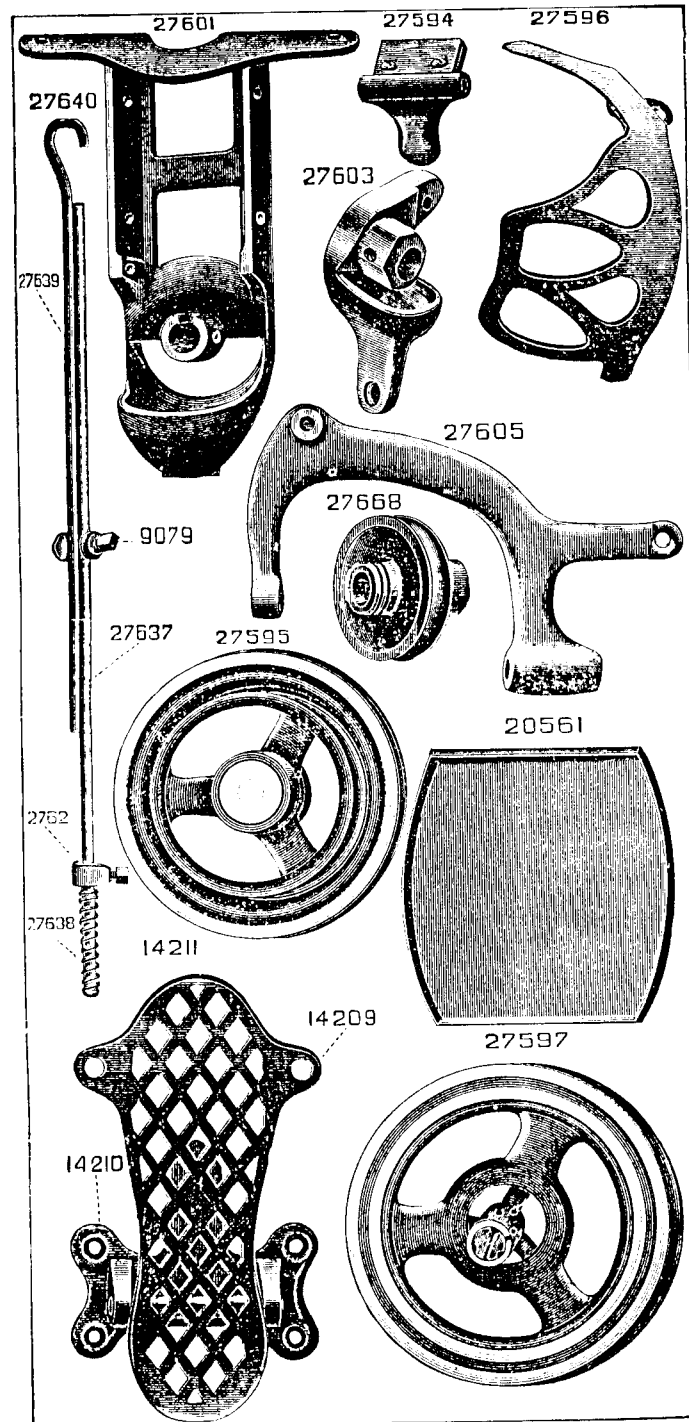
| NO. | PLATE | NAME | EACH |
|--------|-------|--|-------|
| 46545 | — | Belt, size $\frac{5}{32}$ in., length 54 $\frac{1}{2}$ in., with 25028..... | \$ 20 |
| 46630 | — | Pitman Rod Ball Screw Bearing 25361 with 1670e, for 46535..... | 15 |
| 46655 | 3826 | Pitman Ball Separator for 46535..... | 05 |
| 50026c | 5135 | Needle Bar Connecting Link Hinge Stud..... | 12 |
| 50027F | 6939 | Throat Plate Screw, obsolete..... | 04 |
| 50138F | 6934 | Looper Screw..... | 02 |
| 50261c | 6937 | Tension Screw Stud..... | 15 |
| 50314r | 6931 | Machine Thumb Screw (Cabinet Trim-mings for Stand)..... | 20 |
| 50318d | 6939 | Face Plate Screw..... | 02 |
| 50357c | 6937 | Thread Nipper Disc Screw..... | 03 |
| 54648 | 5136 | Looper Driving Shaft Oil Pad (braided cotton)..... | 01 |
| 54694 | 6934 | Looper Carrier Slide Block (two pieces) with 54695 and two 54705..... | 2 00 |
| *54695 | — | Looper Carrier Slide Block Ball Stud for 54694..... | 40 |
| 54705 | 6934 | Looper Carrier Slide Block Pin for 54694, per 100 | 25 |
| 57008 | 6929 | Machine Base with three wood screws 1 $\frac{1}{4}$ in. No. 12 and four each 935d and 42088..... | 2 00 |
| 57016 | 5133 | Arm Rotary Shaft..... | 3 00 |
| 57048 | 5148 | Cloth Plate with 42645, for 57049..... | 2 00 |
| 57049 | — | Cloth Plate complete, Nos. 578d, 42568, 42578 and 57048..... | 2 30 |
| 57051 | 6936 | Feed Dog..... | 75 |
| 57052 | 6934 | Looper..... | 1 00 |
| 57053 | 6934 | “ Carrier with 906c..... | 2 00 |
| 57054 | 6934 | “ “ Hinge Pin..... | 05 |
| 57055 | 6934 | “ “ Holder..... | 75 |
| 57056 | 6935 | “ “ “ Crank Connecting Link..... | 50 |
| 57057 | 6933 | Looper Carrier Lever with 208e and 1933..... | 1 50 |
| 57058 | 6934 | “ “ “ Cam with two 1036c..... | 1 25 |
| 57059 | 6933 | “ Driving Shaft Bracket with 202e..... | 2 50 |
| 57060 | — | “ “ “ Cam with two 1036c, obsolete, use 57160..... | 1 25 |
| 57061 | 6935 | Looper Driving Shaft Crank (left) with 1057E..... | 1 25 |
| 57062 | 6935 | Looper Driving Shaft Crank (right) with 1057E and 1935..... | 1 00 |
| 57063 | 6935 | Needle Bar with two 57066..... | 75 |
| 57064 | 6935 | “ Clamp with 1155E..... | 75 |
| 57065 | 6935 | “ “ Spring..... | 02 |

NUMERICAL LIST OF PARTS

| NO. | PLATE | NAME | EACH |
|--------------------------------|-------|---|-------|
| 57066 | 6935 | Needle Stop Pin for 57063.....per 100 | \$ 10 |
| 57067 | 6935 | Presser Bar Lifting Bracket with 453c.... | 50 |
| 57068 | 6935 | " " " " Guide..... | 30 |
| Nos. 57069 TO 57071 FOR 57072. | | | |
| 57069 | 6937 | Presser Foot Hinge Pin.....per 100 | 10 |
| 57070 | — | " " Plate..... | 65 |
| 57071 | — | " " Shank..... | 60 |
| 57072 | 6936 | Presser Foot (hinged) complete, Nos. 57069 to 57071..... | 1 25 |
| 57076 | 5136 | Tension Thread Guide (double)..... | 30 |
| 57079 | 6936 | Throat Plate for 50027, for 57051, for two threads, obsolete..... | 1 00 |
| 57081 | 6938 | Lifting Lever Connection for 57122..... | 35 |
| 57098 | 5134 | Connecting Rod with 34434 and two 171e | 1 00 |
| *57105 | — | Arm, upper and lower (solid) with 130b, 42619 and two each 462c, 1259c, 9830 and 42602..... | 12 00 |
| 57106 | 6934 | Face Plate..... | 75 |
| 57107 | 6937 | Slack Thread Regulating Spring..... | 05 |
| 57108 | 6937 | " " " " Plate..... | 15 |
| 57109 | 6937 | " " " " Thread Eyelet..... | 05 |
| 57110 | 6937 | Tension Releaser..... | 50 |
| 57111 | 6937 | " " Shaft..... | 10 |
| 57112 | 6937 | " " " Crank with 202b..... | 1 00 |
| 57113 | 6937 | Thread Nipper Bracket with 207e and two 57116..... | 1 00 |
| 57114 | 6937 | Thread Nipper Disc..... | 03 |
| 57115 | 6937 | " " " Screw Bushing..... | 10 |
| 57116 | 6937 | " " " Steady Pin for 57113..... | 01 |
| 57116 | 6937 | " " Guide Pin for 57113..... | 01 |
| 57117 | 6937 | " " Separating Disc..... | 10 |
| 57118 | 6938 | " " Spring..... | 10 |
| 57119 | 6938 | " " " Bracket and Thread Guide..... | 80 |
| 57120 | 6936 | Throat Plate for 50027, for 57051, for one thread, obsolete..... | 1 00 |
| 57121 | 6933 | Lifting Lever with 2809, for 57122..... | 50 |
| 57122 | — | Knee Lifter complete, Nos. 21b, 1200b, 14224, 16129, 19081, 57081 and 57121..... | 2 45 |
| 57136 | 6936 | Throat Plate for 1230e, for 57051, for one thread..... | 1 00 |
| 57137 | 6936 | Throat Plate for 1230e, for 57051, for two threads..... | 1 00 |
| 57160 | 6935 | Looper Driving Shaft Cam with two 1036c | 1 25 |
| 120117 | 6930 | Oiler Spout Washer (leather) for 36579.... | 03 |

ILLUSTRATIONS OF PARTS
FOR
MACHINE No. 82-22

PLATE 1164—ONE-FOURTH SIZE



From the library of: Diamond Needle Corp

ILLUSTRATIONS OF PARTS
FOR
MACHINE NO. 8333

PLATE 1165—ONE-FOURTH SIZE

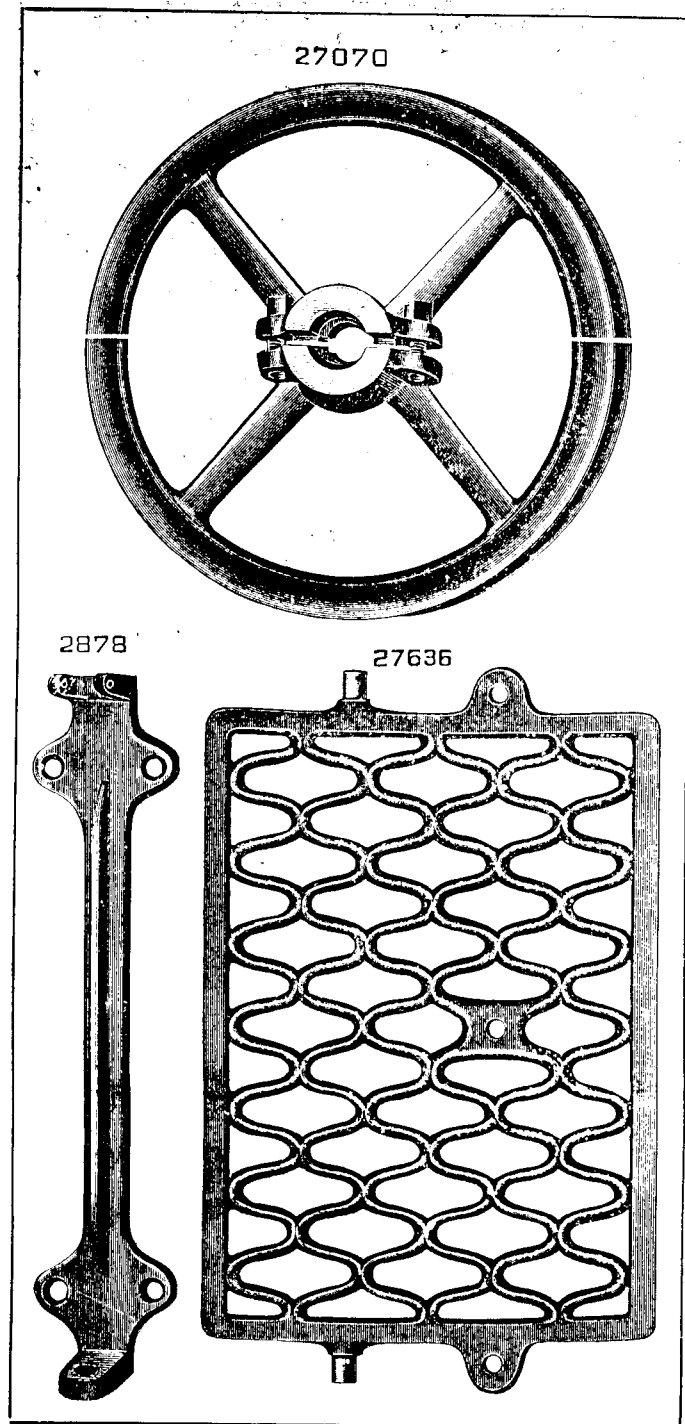


PLATE 2186—FULL SIZE

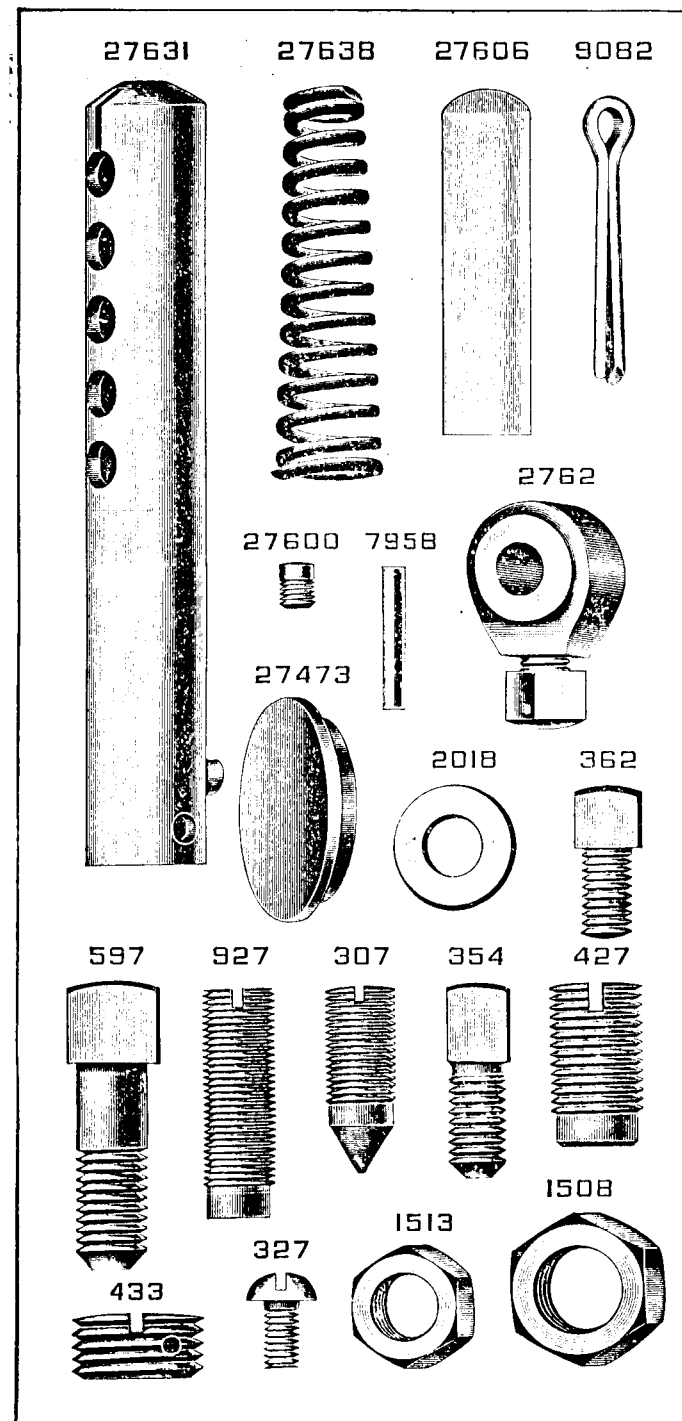


PLATE 2187—ONE-NINTH SIZE

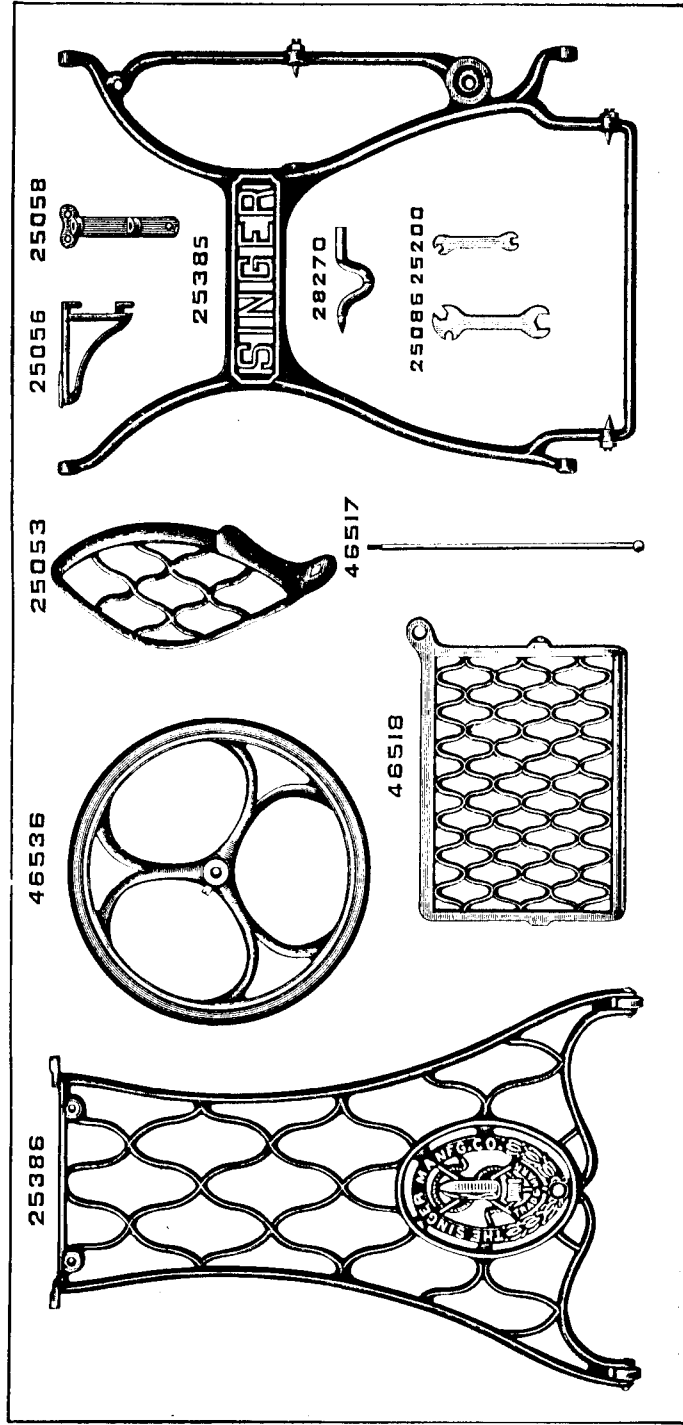


PLATE 3813—ONE-NINTH SIZE

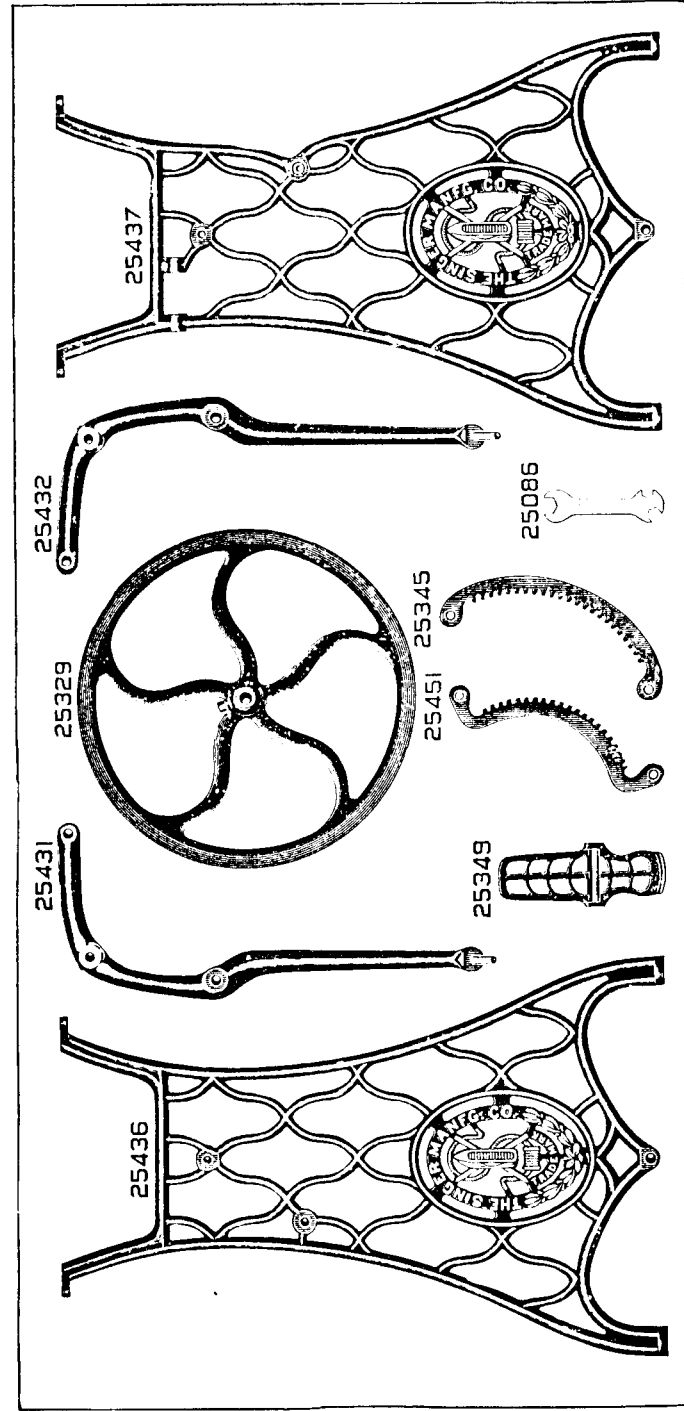


PLATE 3815—ONE-HALF SIZE

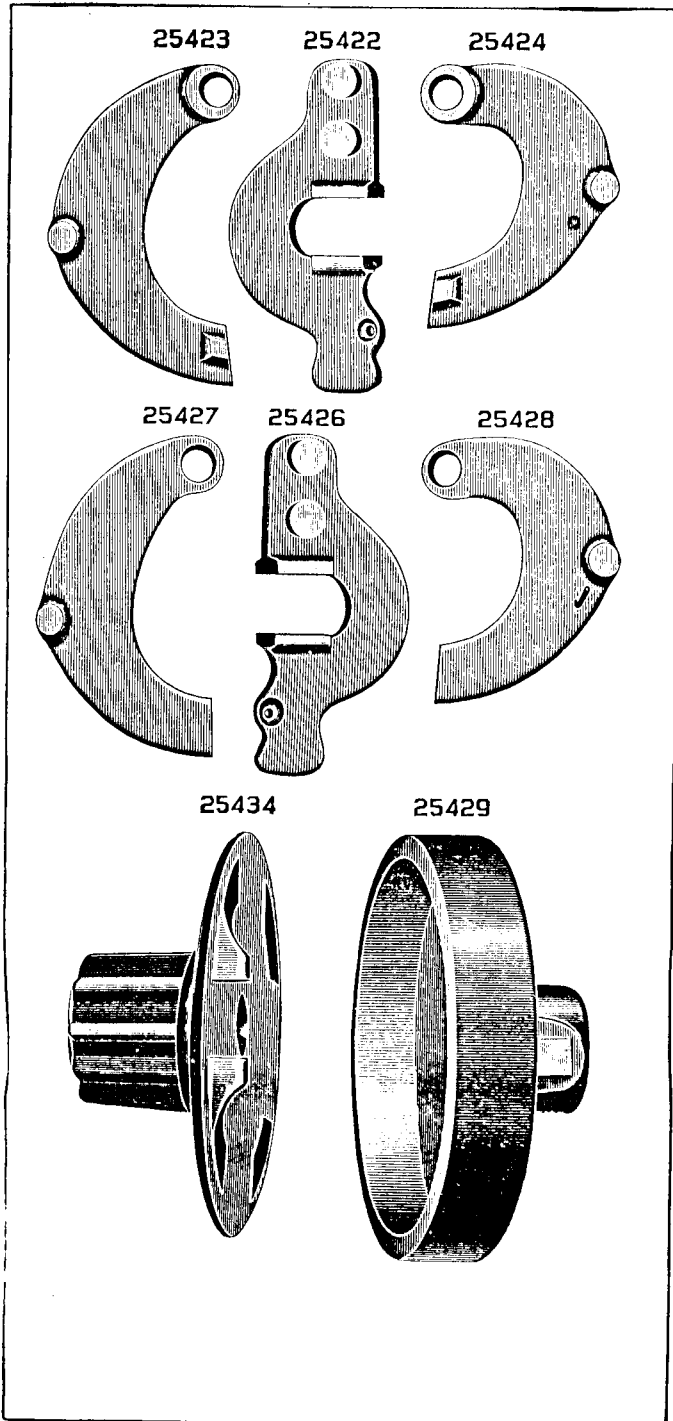


PLATE 3816—ONE-HALF SIZE

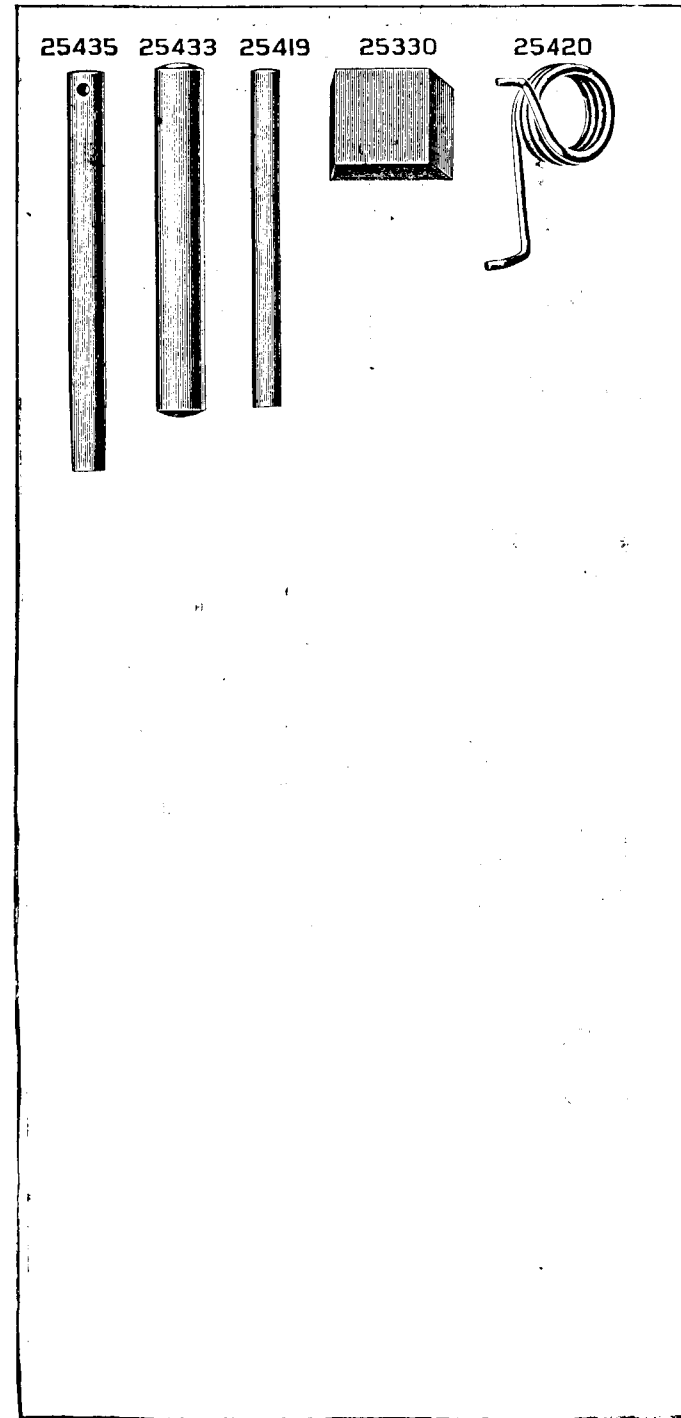


PLATE 3817—FULL SIZE

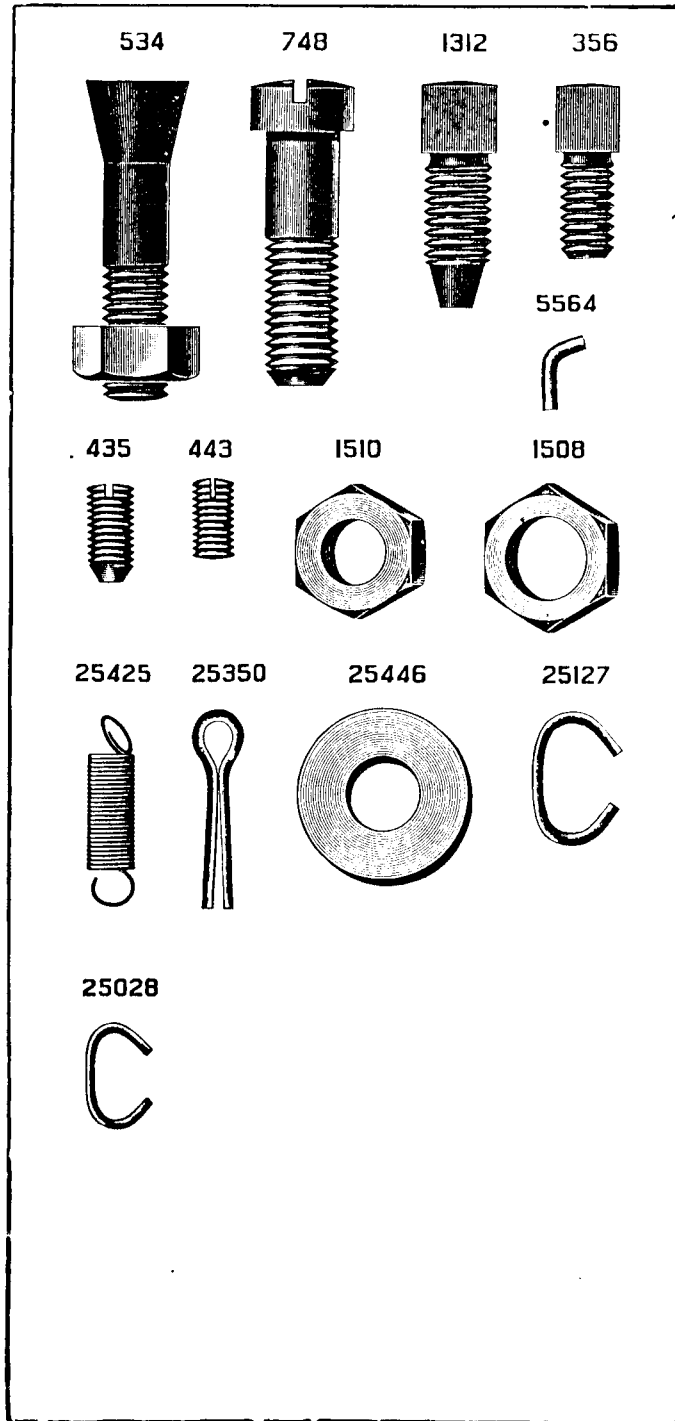


PLATE 3818—ONE-NINTH SIZE

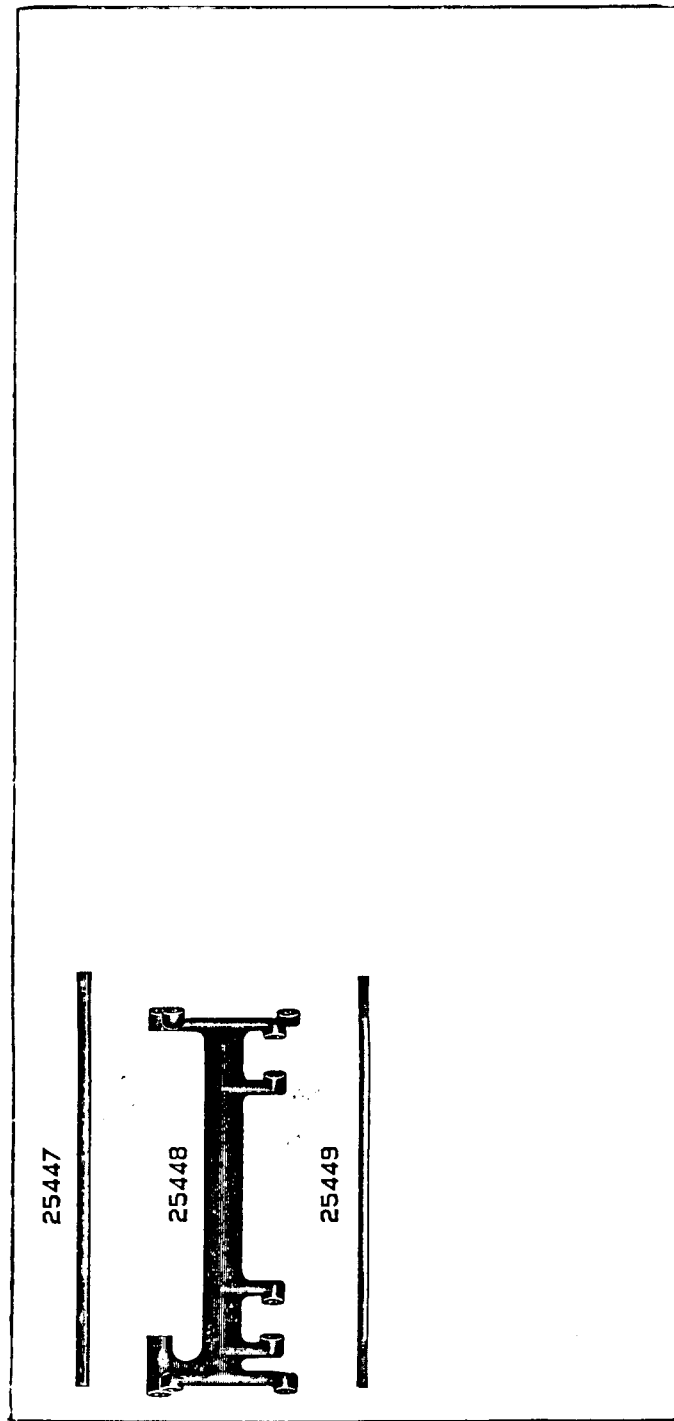


PLATE 3826—FULL SIZE

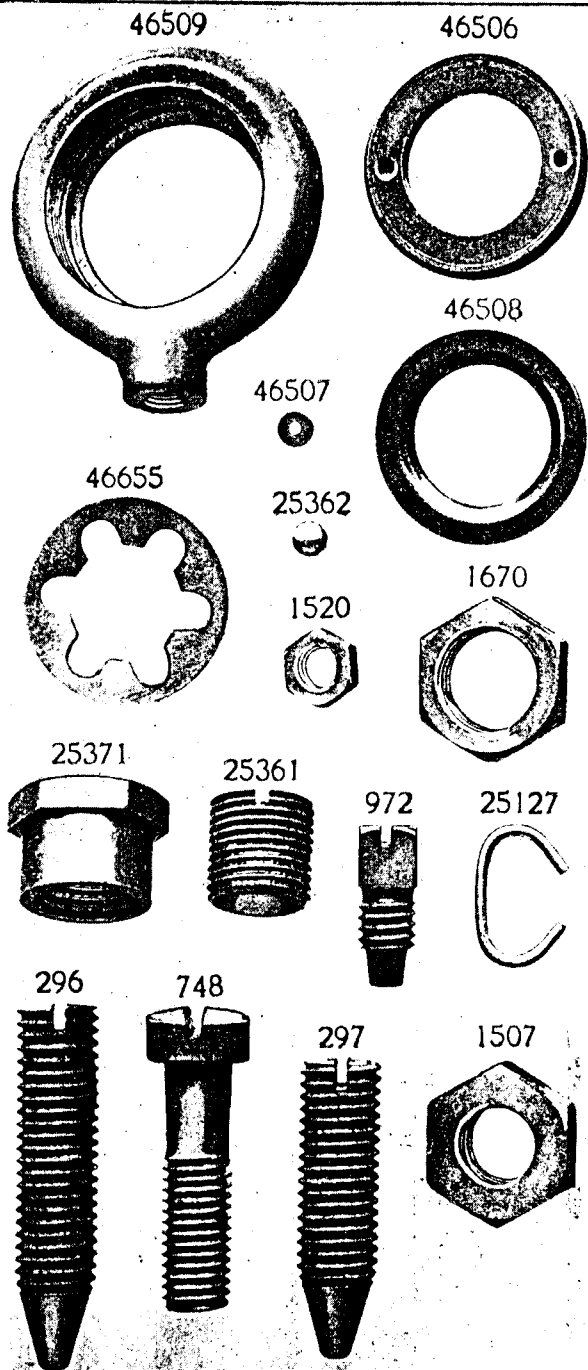
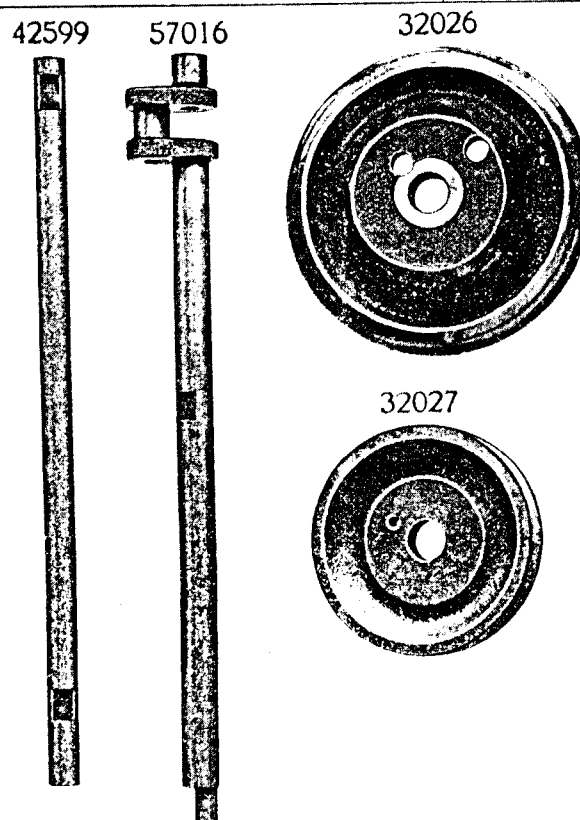


PLATE 5133—ONE-HALF SIZE



From the library of: Diamond Needle Corp

PLATE 5134—FULL SIZE

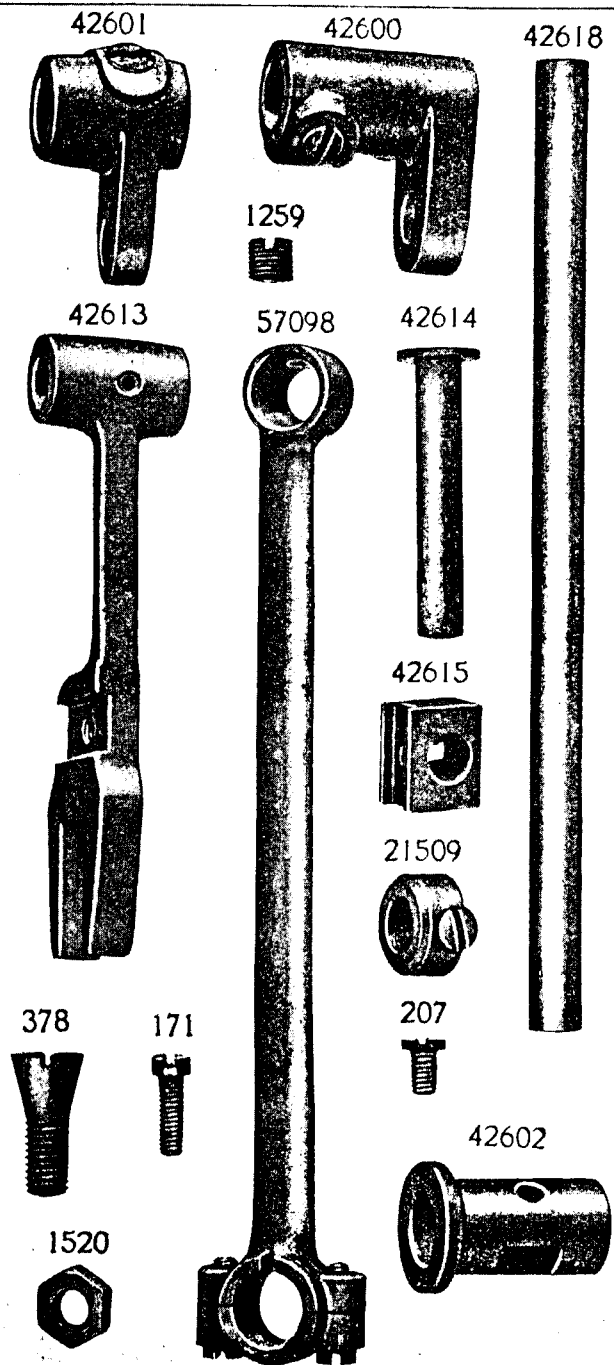
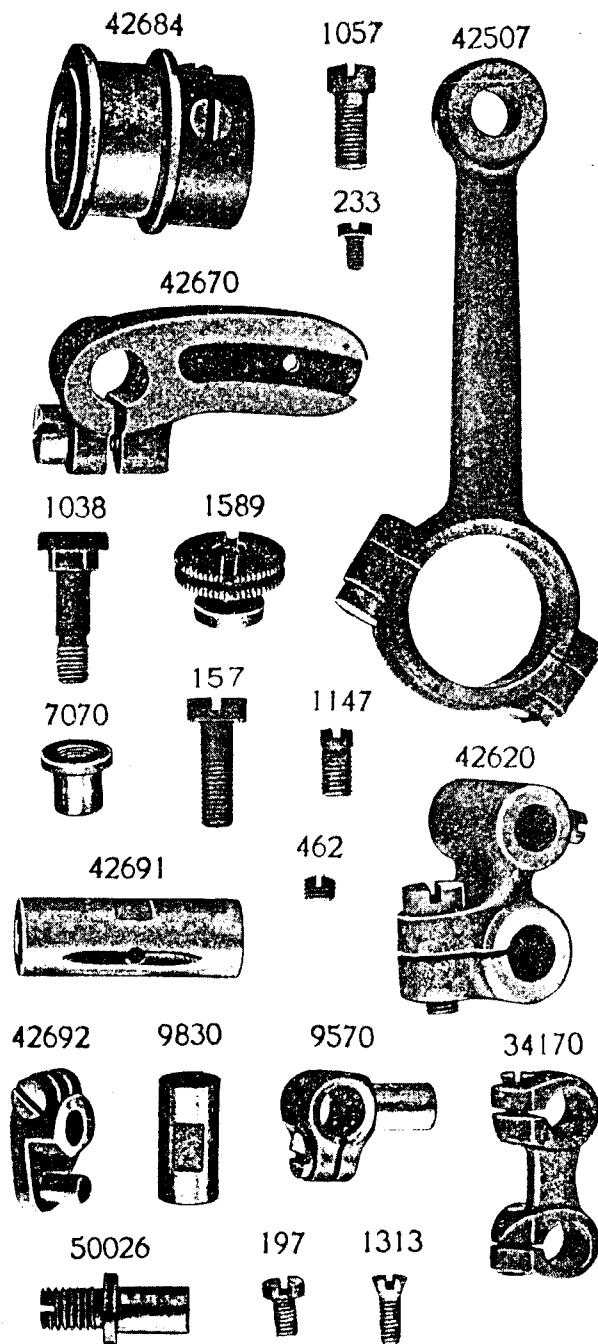


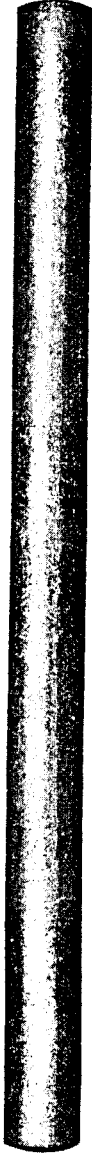
PLATE 5135—FULL SIZE



From the library of: Diamond Needle Corp

PLATE 5136—FULL SIZE

42694



22405



34103



1121



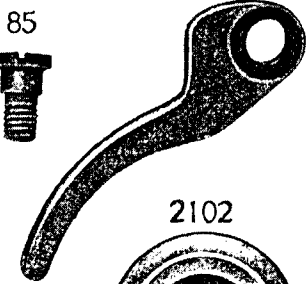
19009



454



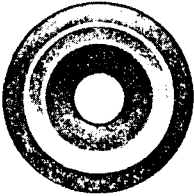
38540



85



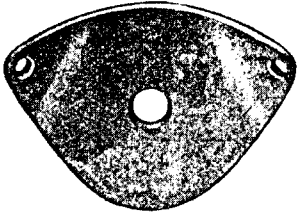
2102



1560



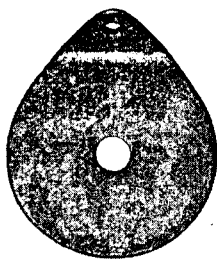
57076



54648



17547



57048

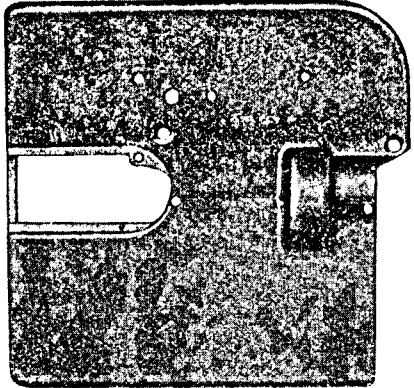


PLATE 6929—ONE-FOURTH SIZE

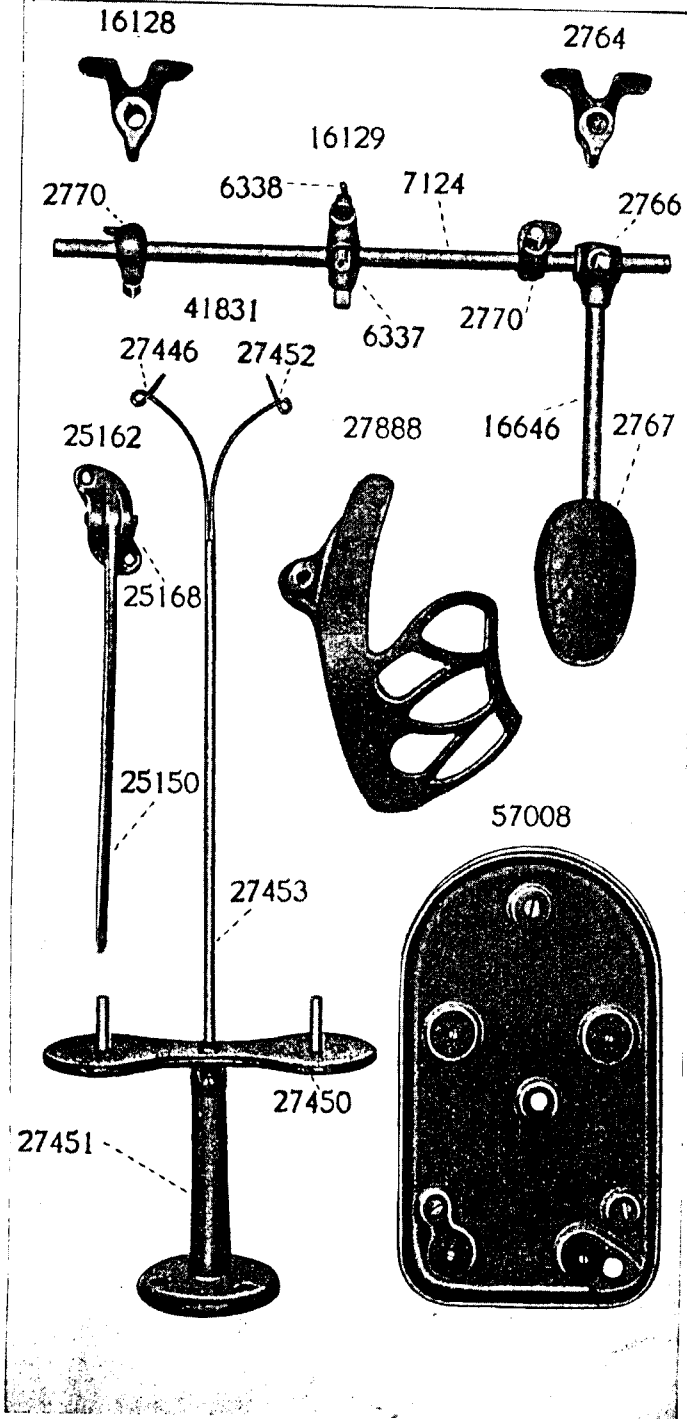
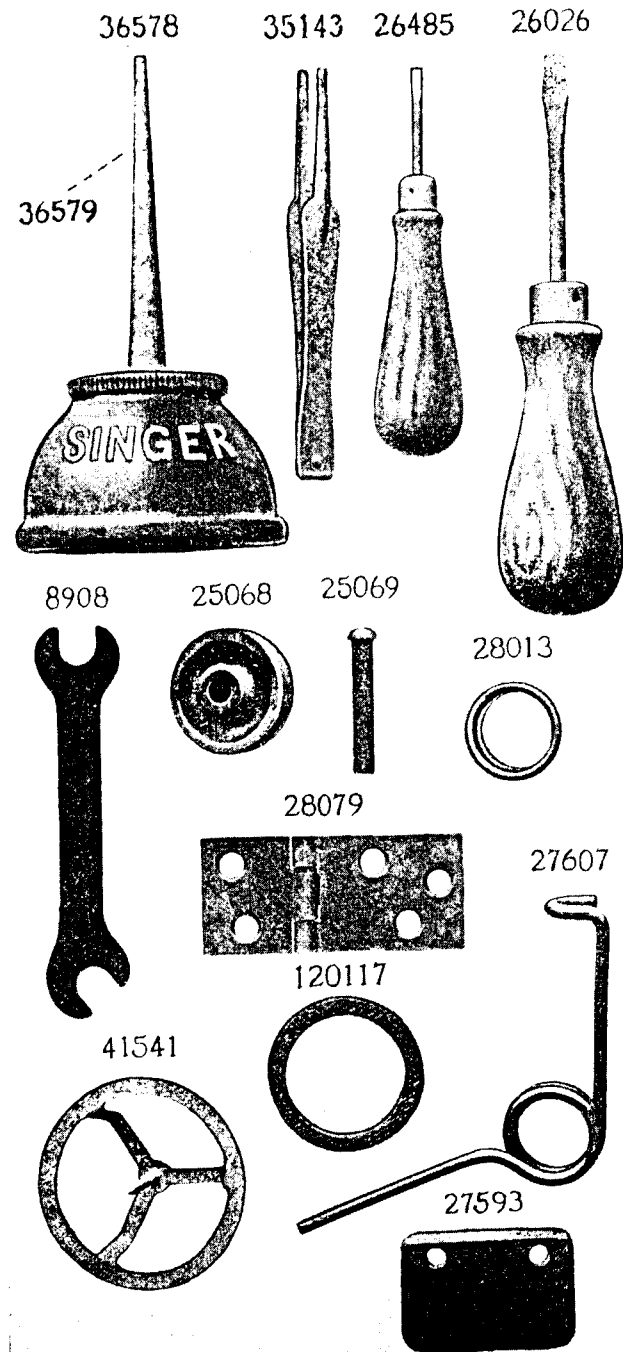


PLATE 6930—ONE-HALF SIZE



From the library of: Diamond Needle Corp

PLATE 6931—FULL SIZE

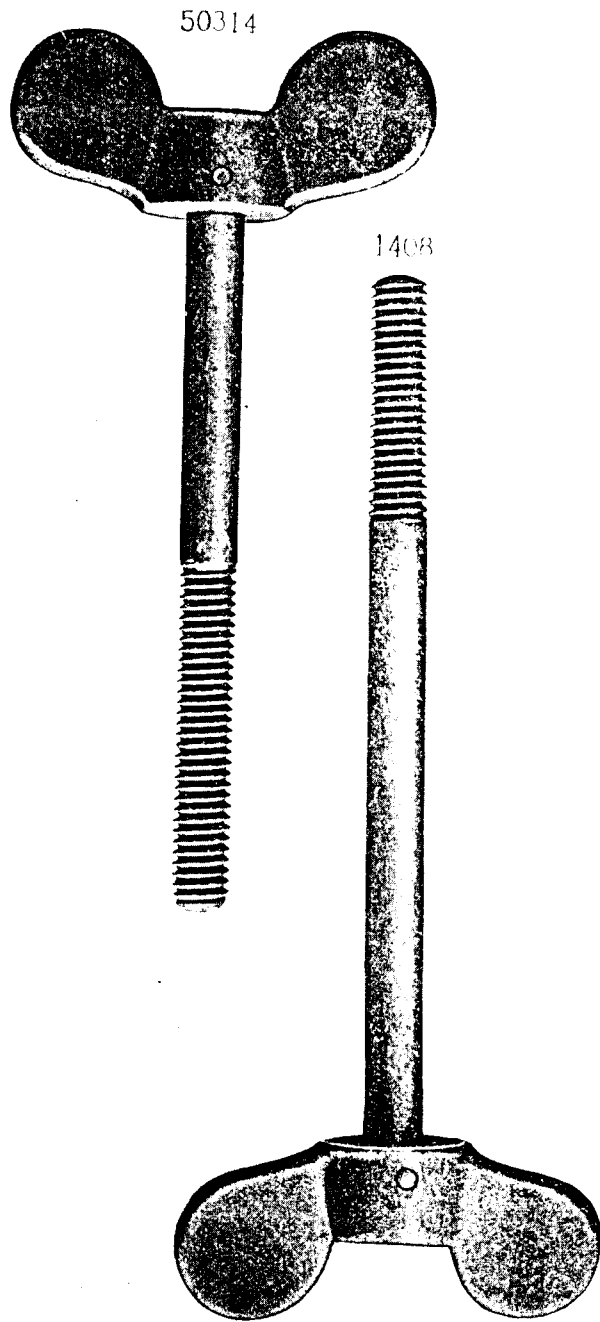
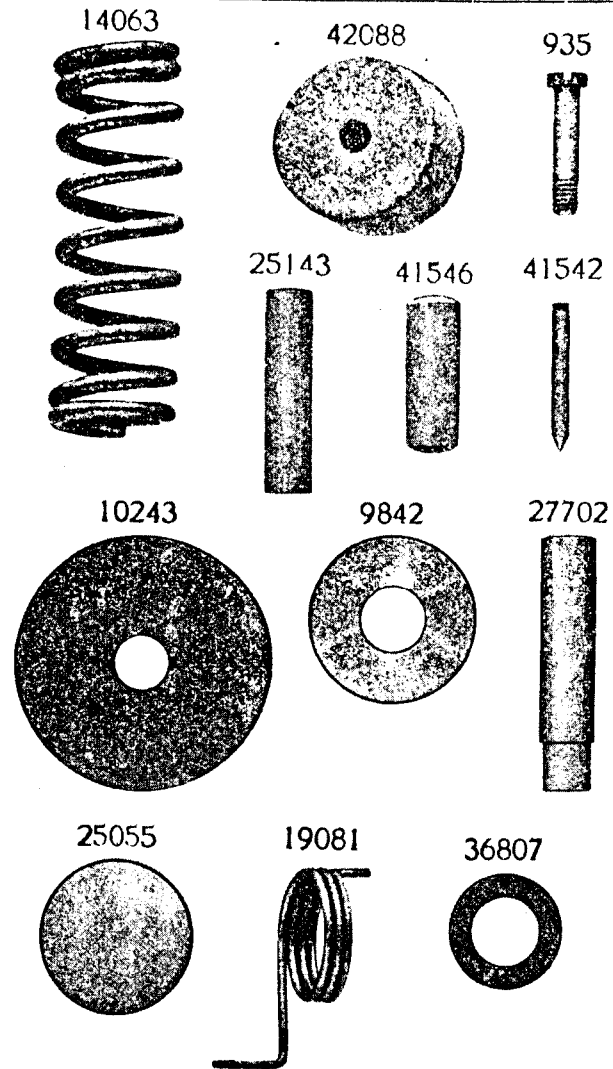


PLATE 6932—FULL SIZE



From the library of: Diamond Needle Corp

PLATE 6933—ONE-HALF SIZE

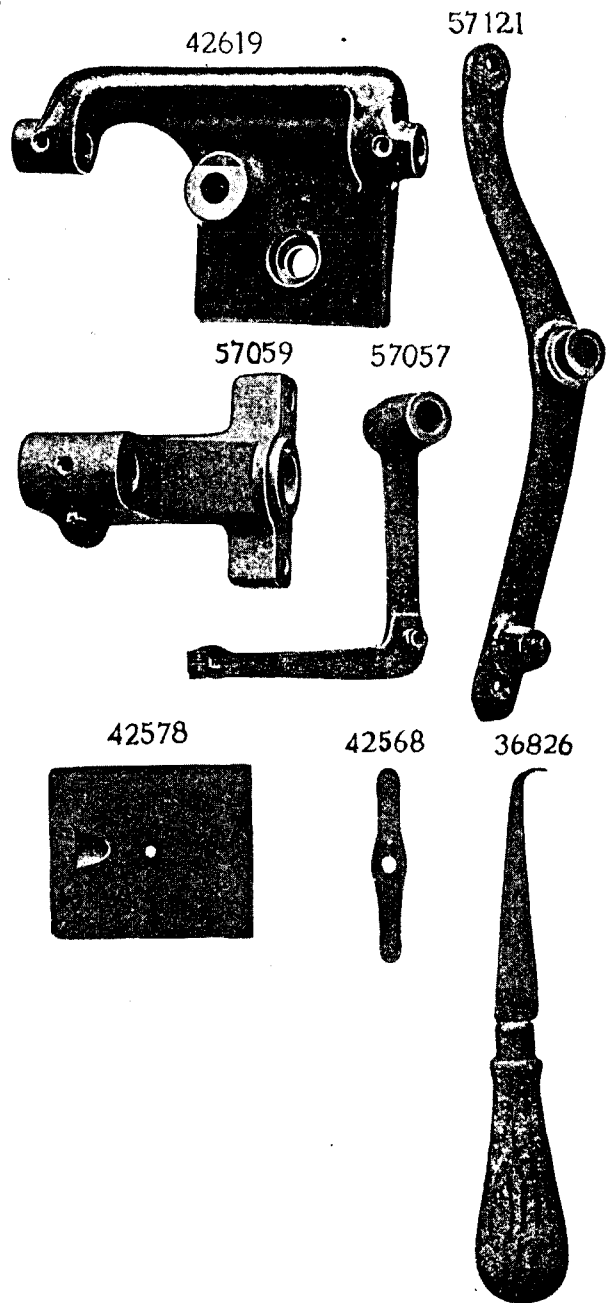
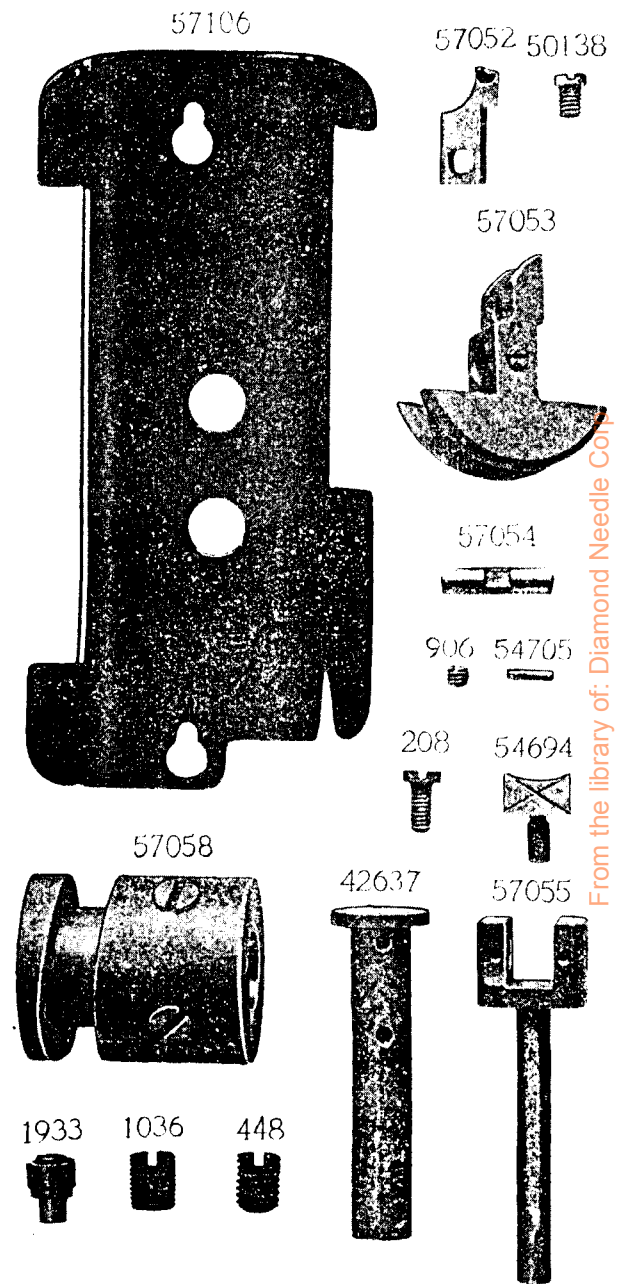


PLATE 6934—FULL SIZE



From the library of: Diamond Needle Corp.

PLATE 6935—FULL SIZE

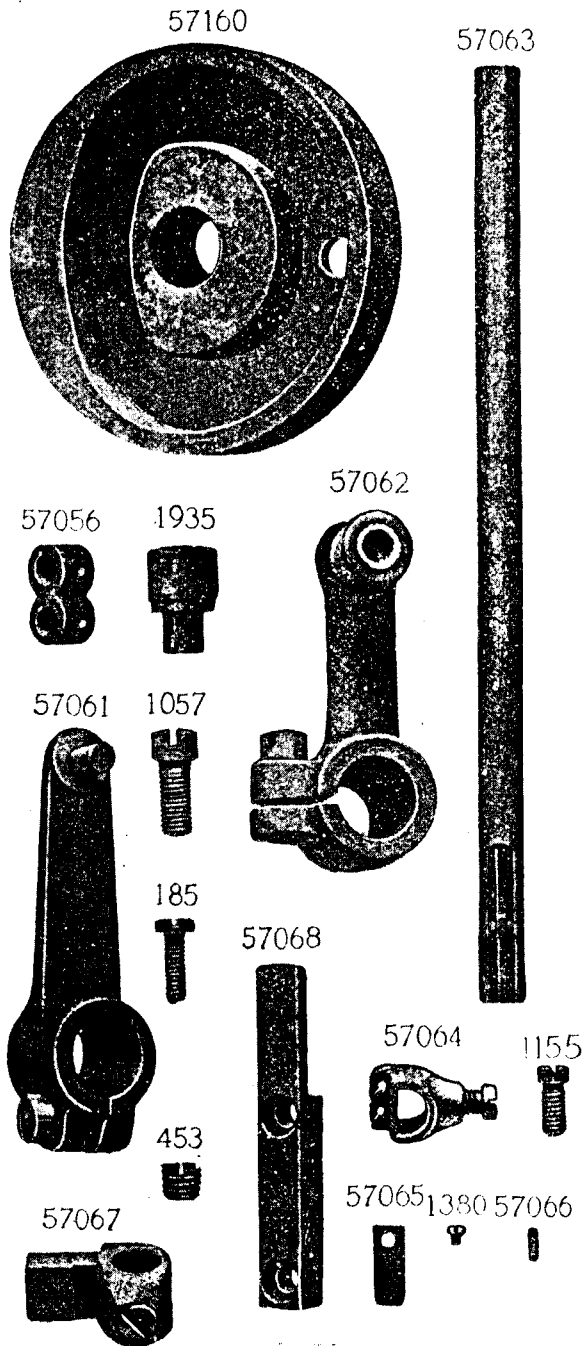


PLATE 6936—FULL SIZE

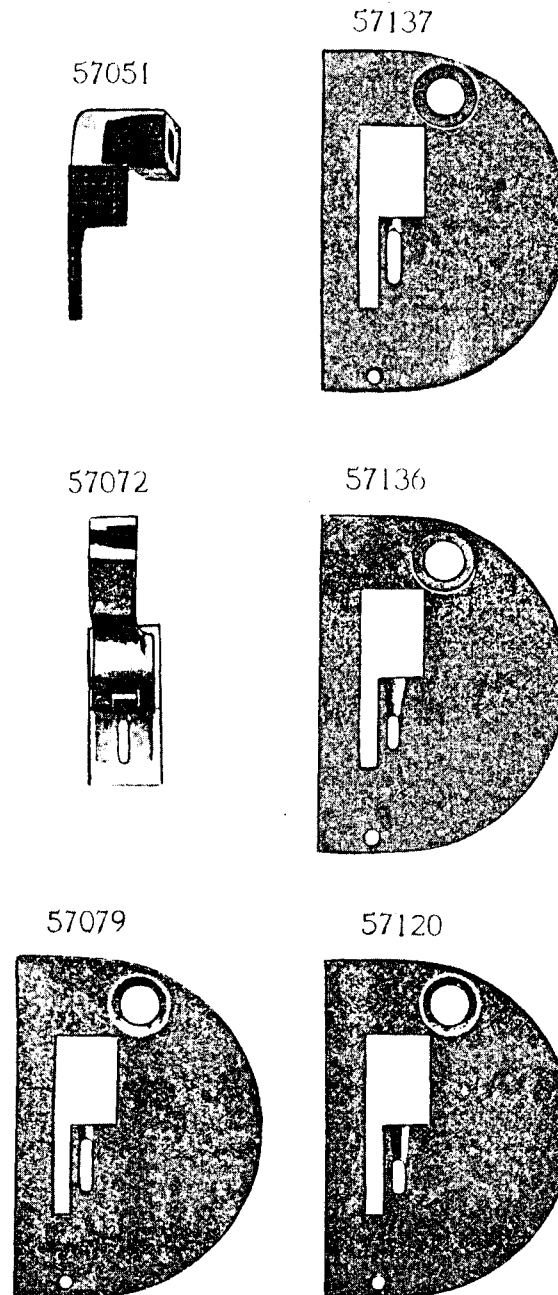


PLATE 6937—FULL SIZE

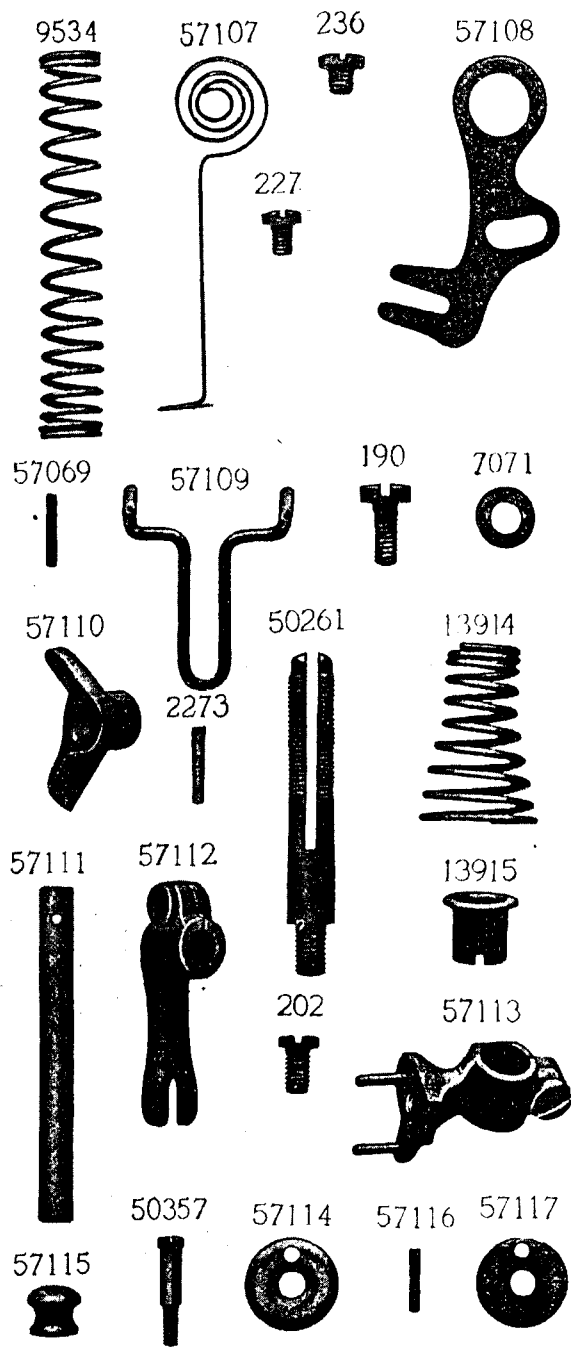
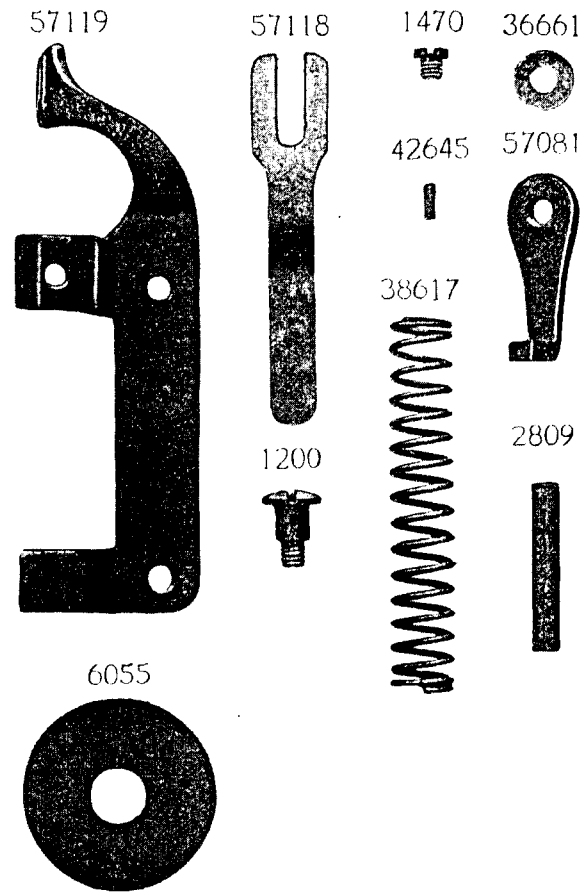


PLATE 6938—FULL SIZE



From the library of: Diamond Needle Corp

PLATE 6939—FULL SIZE

1167



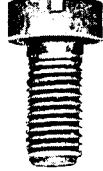
21



141



130



145



387



199



50318



1230



50027



578



504

